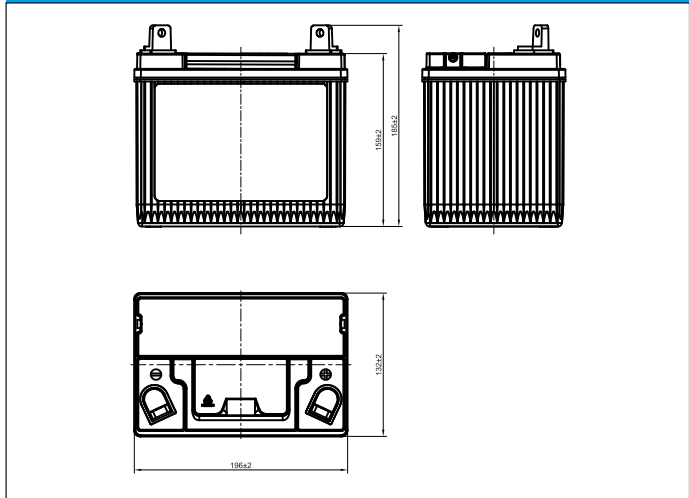




BCI U1R-320 (12V27Ah)



Dimensions (mm)



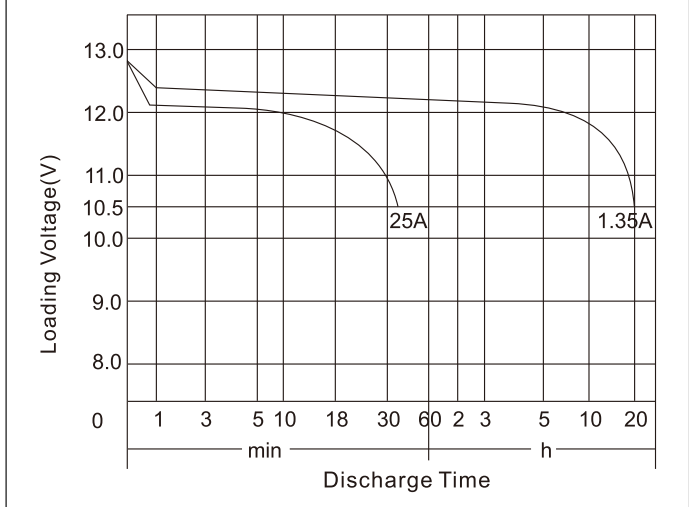
Physical Specification (mm)

Nominal Voltage		12V
Nominal Capacity(20HR)		27Ah
Dimension	Length	196±2mm(7.72inches)
	Width	132±2mm(5.20inches)
	Container Height	159±2mm(6.26inches)
	Total Height(with Terminal)	185±2mm(7.28inches)
Weight		Approx 8.0Kg(17.7lbs)
Acid		1.280±0.015g/cm ³ (25°C)
Standard Terminal		4
Cell layout		0
Hold-Down		B0
Cell plate qty		/
Case		Black-PP Material
Cover		Black-PP Material
Handle		Black-PP Material
QTY/PLT/layer		/

Electrical Specification

Rated Capacity	20 hour rate(1.35A)	27Ah
Reserve Capacity		37min
Cold Cranking Performance Amps@0°F(-18°C)		320A

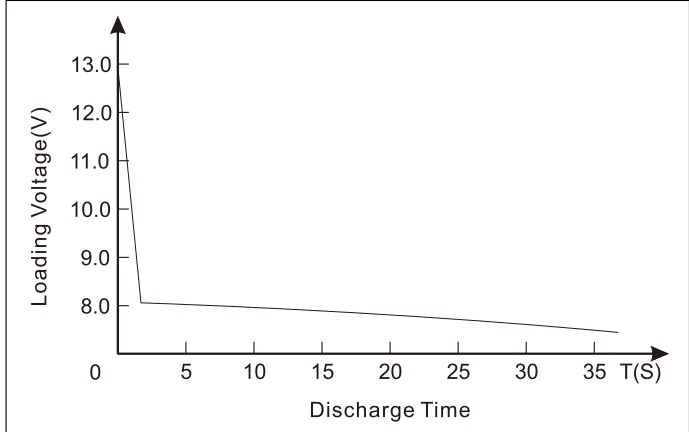
Discharge Characteristics(25°C,70°F)



Standard Terminal (mm) Cell Layout

Terminal Type	4	<p>Figure(0)</p>

Discharge Characteristics(-18°C,0°F)



*Values are subject to variation of +/- 5% in normal manufacturing processes.
 **Technical specifications and the product line above could be changed without prior notice.