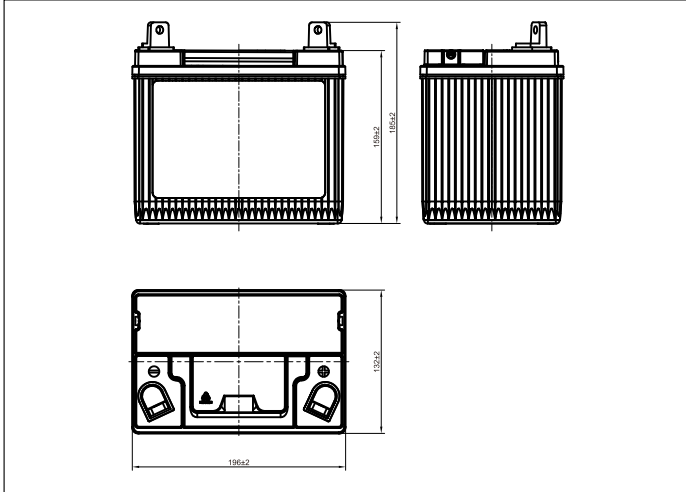




BCI U1R-250 (12V20Ah)



Dimensions (mm)



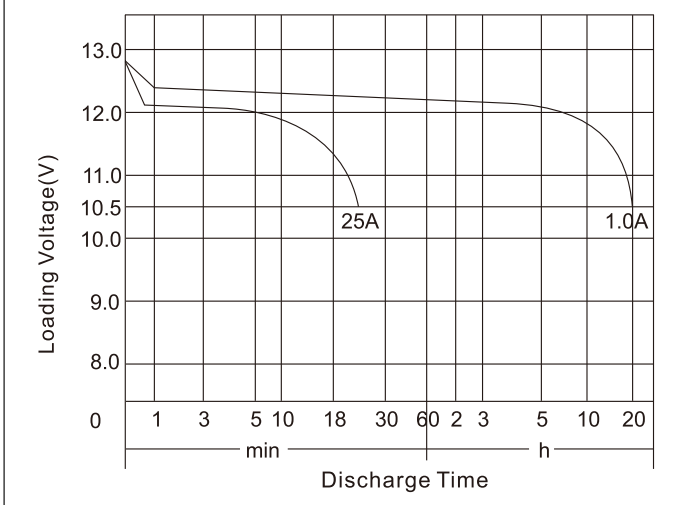
Physical Specification (mm)

Nominal Voltage	12V	
Nominal Capacity(20HR)	20Ah	
Dimension	Length	196±2mm(7.72inches)
	Width	132±2mm(5.20inches)
	Container Height	159±2mm(6.26inches)
	Total Height(with Terminal)	185±2mm(7.28inches)
Weight	Approx 7.4Kg(16.32lbs)	
Acid	1.280±0.015g/cm ³ (25°C)	
Standard Terminal	4	
Cell layout	0	
Hold-Down	B0	
Cell plate qty	/	
Case	Black-PP Material	
Cover	Black-PP Material	
Handle	Black-PP Material	
QTY/PLT/layer	/	

Electrical Specification

Rated Capacity	20 hour rate(1.0A)	20Ah
Reserve Capacity		24min
Cold Cranking Performance Amps@0°F(-18°C)		250A

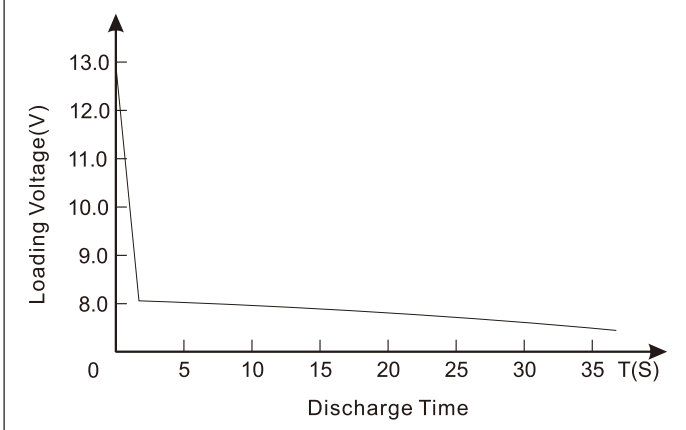
Discharge Characteristics(25°C,70°F)



Standard Terminal (mm) Cell Layout

Terminal Type	4	<p>Figure(0)</p>

Discharge Characteristics(-18°C,0°F)



*Values are subject to variation of +/- 5% in normal manufacturing processes.
 *Technical specifications and the product line above could be changed without prior notice.