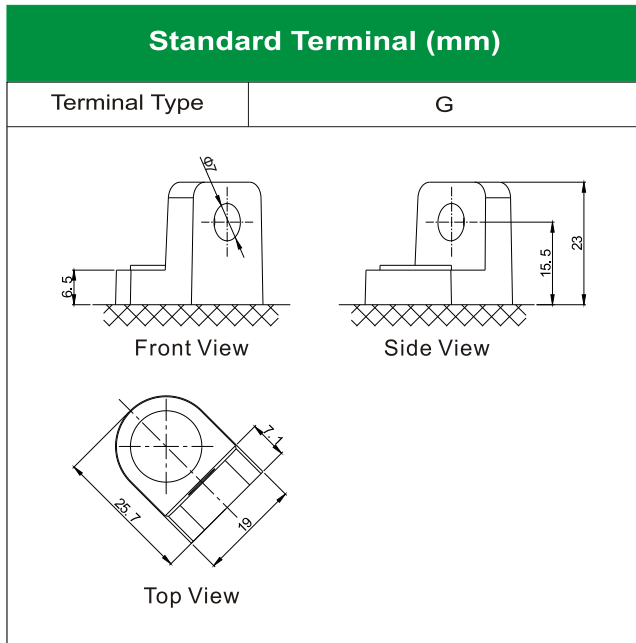
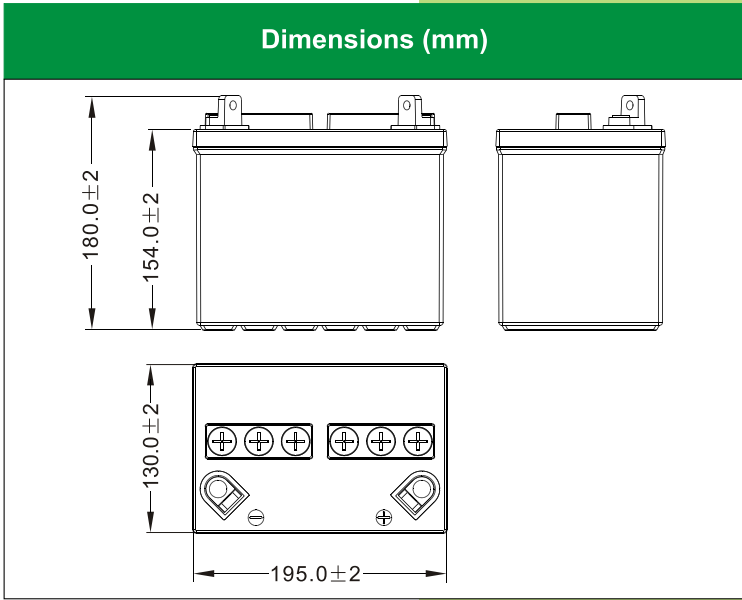
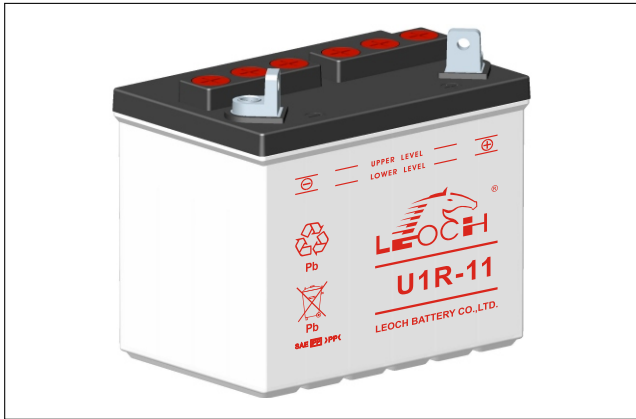


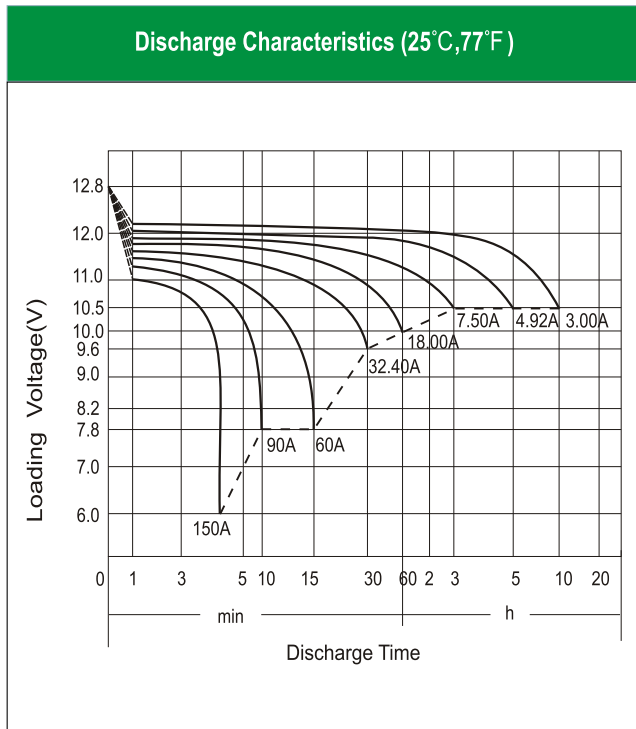


# U1R-11 [12V30Ah]



### Physical Specification

|  |  |                         |
|--|--|-------------------------|
| Nominal Voltage  | 12V  |                         |
| Nominal Capacity (10HR)  | 30Ah   |                         |
| Dimension  | Length                                       | 195 ± 2mm (7.68 inches) |
|  | Width  | 130 ± 2mm (5.12 inches) |
|  | Container Height                             | 154 ± 2mm (6.06 inches) |
|  | Total Height (with Terminal)                 | 180 ± 2mm (7.09 inches) |
| Weight   | Battery(with acid): Approx 8.08kg (17.82lbs) |                         |
|  | Electrolyte: Approx 2.52kg (5.56lbs)         |                         |
| <ul style="list-style-type: none"> <li>* High performance and dry charged high quality and flooded battery</li> <li>* Low maintenance</li> <li>* Powerful 280 cold cranking amps</li> <li>* Shipped without battery electrolyte pre-charged and ready to install</li> <li>* Replaces none battery</li> </ul> |  |                         |



### Electrical Specification

|                                  |                        |   |      |
|----------------------------------|------------------------|---|------|
| Rated Capacity                   | 10 hour rate (3.00A)   | 30.00Ah   |      |
|                                  | 5 hour rate (4.92 A)   | 24.60Ah   |      |
| Capacity affected by Temperature | 2 hour rate (10.50A)   | 21.00Ah   |      |
|                                  | 1 hour rate (18.00 A)  | 18.00Ah   |      |
|                                  | 0.5 hour rate (32.40A) | 16.20Ah   |      |
|                                  | 40 °C (104 °F)         | 106%  |      |
| Charging Methods                 | Full Charge            | 25 °C (77 °F)   | 100% |
|                                  |                        | 0 °C (32 °F)  | 86%  |
|                                  | Floating Charge        | -15 °C (5 °F)   | 65%  |
|                                  |                        | Constant-Voltage Charge:<br>Initial charging current: less than 9.0A<br>Voltage: 14.40 V ~ 15.00 V at 25 °C (77 °F)<br>Charging time: 16 ~24h<br>Constant-Current Charge:<br>Charging current: 3.0A, when charging voltage up to 15.60V, continue to charge 2h. |      |