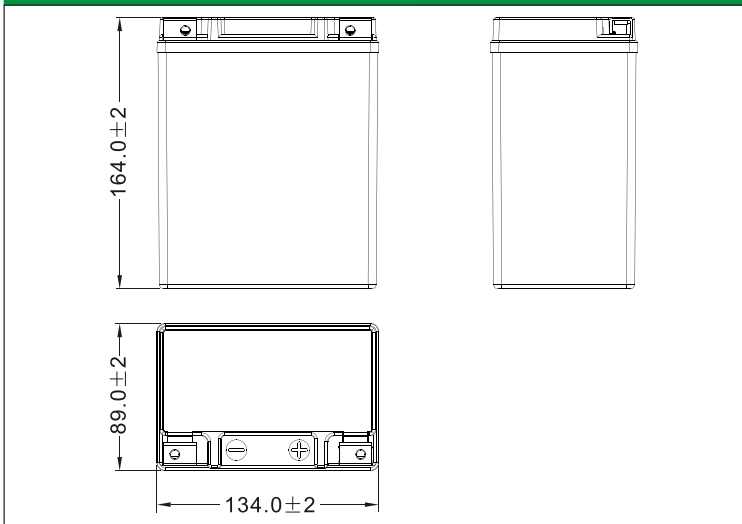




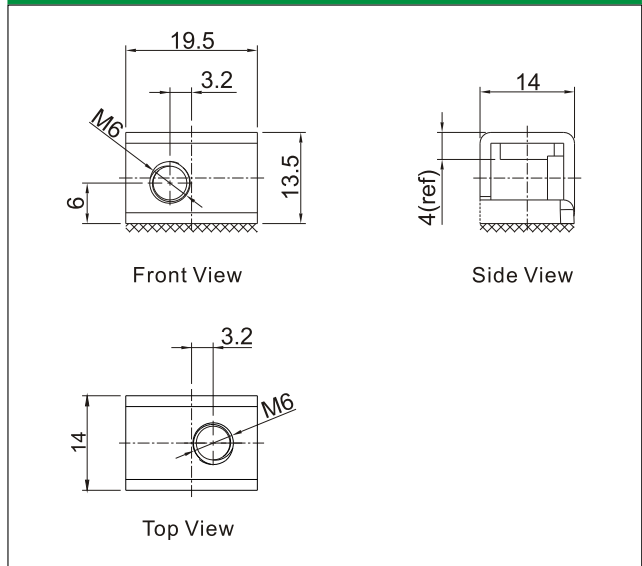
MX15-3-1 [12V13Ah]



Dimensions (mm)



Standard Terminal (mm)

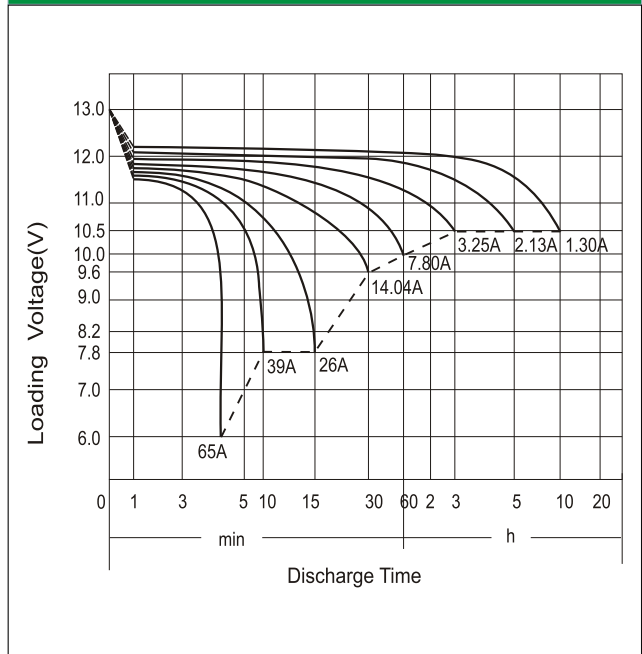


Physical Specification

Nominal Voltage		12V
Nominal Capacity (10HR)		13Ah
Dimension	Length	134 ± 2mm (5.28 inches)
	Width	89 ± 2mm (3.50 inches)
	Container Height	164 ± 2mm (6.46 inches)
	Total Height (with Terminal)	164 ± 2mm (6.46 inches)
Weight	Battery(with acid): Approx 5.10kg (11.25lbs) Electrolyte: Approx 0.9kg (1.99lbs)	

- * Sealed and non-spillable AGM battery
- * Maintenance-free
- * Powerful 240 cold cranking amps
- * Shipped pre-charged and ready to install

Discharge Characteristics (25°C, 77°F)



Electrical Specification

Rated Capacity	10 hour rate (1.30 A)	13.0Ah
	5 hour rate (2.13 A)	10.66Ah
	2 hour rate (4.55 A)	9.10Ah
	1 hour rate (7.80 A)	7.80Ah
	0.5 hour rate (14.04 A)	7.02Ah
Capacity affected by Temperature	40 °C (104 °F)	106%
	25 °C (77 °F)	100%
	0 °C (32 °F)	86%
	-15 °C (5 °F)	65%
Charging Methods	Full Charge	Constant-Voltage Charge: Initial charging current: less than 3.9A Voltage: 14.40 V ~ 15.00 V at 25 °C (77 °F) Charging time: 15 ~18h Constant-Current Charge: Charging current: 0.1C ₁₀ =1.30A, when charging voltage up to 14.40V, continue to charge 4h
	Floating Charge	No limit on Initial charging current Voltage: 13.50 V ~ 13.80 V at 25 °C (77 °F)