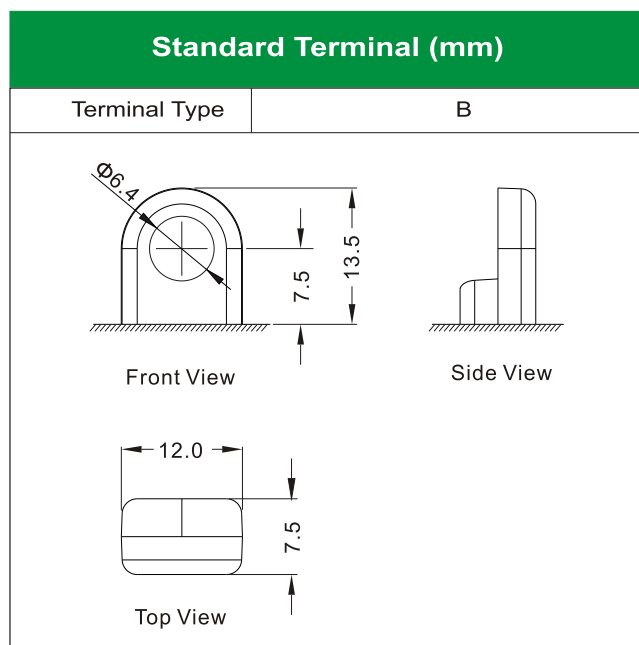
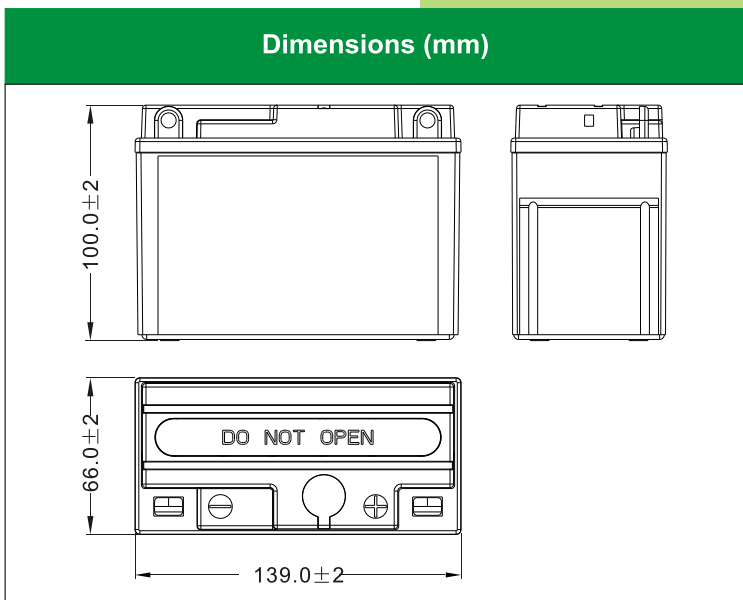




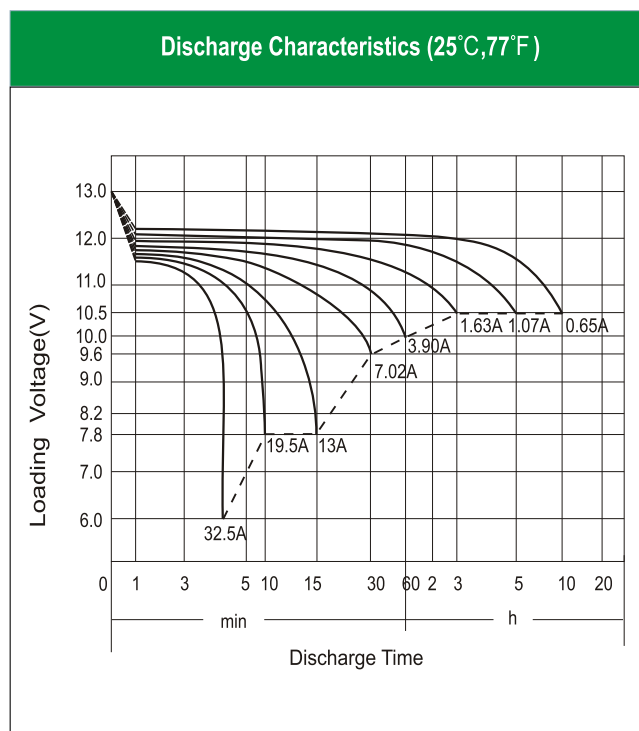
LTX6.5L-BS (12V6.5Ah)



Physical Specification

Nominal Voltage	12V	
Nominal Capacity (10HR)	6.5AH	
Dimension	Length	139 ± 2mm (5.47 inches)
	Width	66 ± 2mm (2.60 inches)
	Container Height	100 ± 2mm (3.94 inches)
	Total Height (with Terminal)	100 ± 2mm (3.94 inches)
Weight	Battery(with acid): Approx 2.26kg (4.98lbs)	
	Electrolyte: Approx 0.38kg (0.84lbs)	

- * Sealed AGM battery
- * Fresh Pack, Maintenance Free
- * Powerful 85 cold cranking amps
- * Rest after filling acid
- * Maximum tilt angle for installation: 25°



Electrical Specification

Rated Capacity	10 hour rate (0.65A)	6.50AH
	5 hour rate (1.07 A)	5.33AH
	2 hour rate (2.28 A)	4.55AH
	1 hour rate (3.90 A)	3.90AH
	0.5 hour rate (7.02 A)	3.51AH
Capacity affected by Temperature	40 °C (104 °F)	106%
	25 °C (77 °F)	100%
	0 °C (32 °F)	86%
	-15 °C (5 °F)	65%
Self Discharge	Approximately 3% per month (25°C (77°F))	
Charging Methods	Full Charge	Constant-Voltage Charge: Initial charging current: less than 1.95A Voltage: 14.40 V ~ 15.00 V at 25 °C (77 °F) Charging time: 15 ~18h Constant-Current Charge: Charging current: 0.1C ₁₀ =0.65A, when charging voltage up to 14.40V, continue to charge 4h
	Floating Charge	No limit on Initial charging current Voltage: 13.50 V ~ 13.80 V at 25 °C (77 °F)