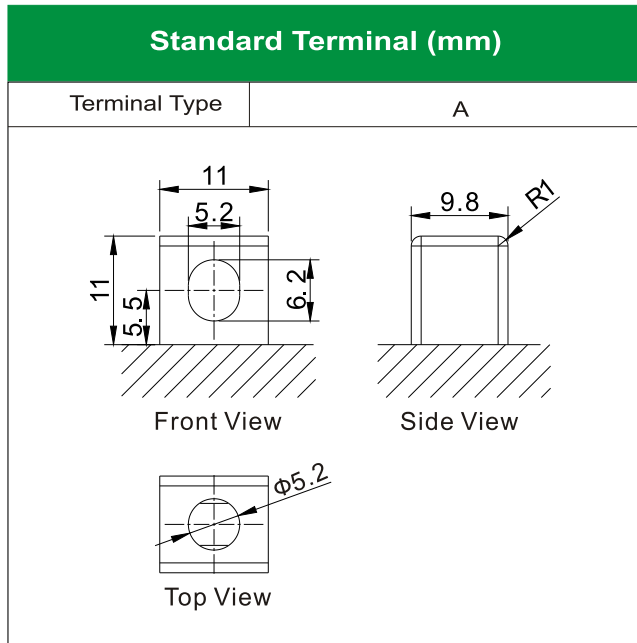
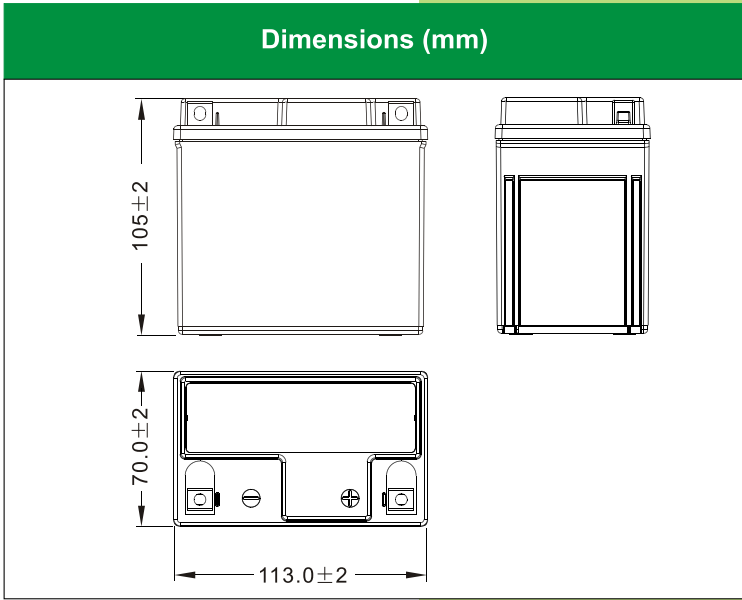




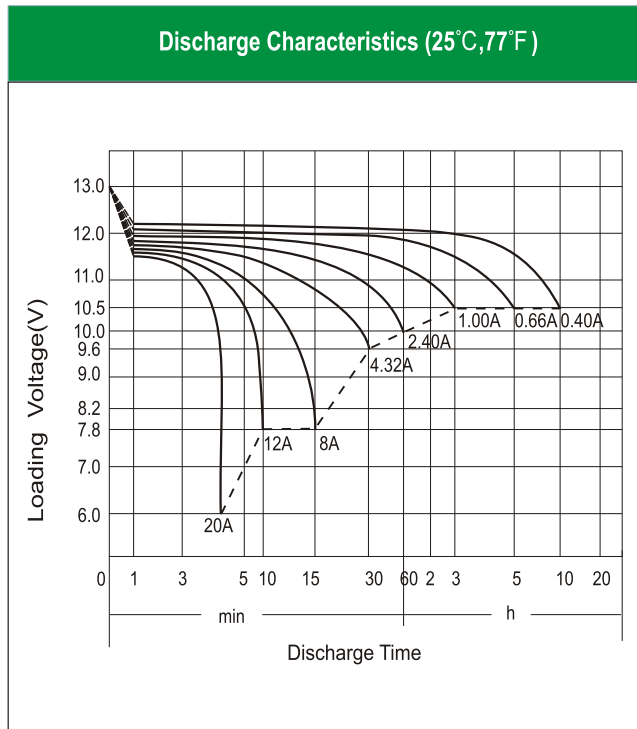
# LT5-3-2 [12V4Ah]



### Physical Specification

|                         |   |                       |
|-------------------------|---|-----------------------|
| Nominal Voltage         |   | 12V                   |
| Nominal Capacity (10HR) |   | 4Ah                   |
| Dimension               | Length  | 113±2mm (4.45 inches) |
|                         | Width   | 70±2mm (2.76 inches)  |
|                         | Container Height  | 105±2mm (4.13 inches) |
|                         | Total Height (with Terminal)  | 105±2mm (4.13 inches) |
| Weight                  | Battery(with acid): Approx 1.78kg (3.93lbs)<br>Electrolyte: Approx 0.31kg (0.68lbs) |                       |

- \* Sealed and non-spillable AGM battery
- \* Maintenance-free
- \* Powerful 70 cold cranking amps
- \* Shipped pre-charged and ready to install
- \* Replaces none battery



### Electrical Specification

|                                  |                        |   |
|----------------------------------|------------------------|---|
| Rated Capacity                   | 10 hour rate (0.40 A)  | 4.00Ah  |
|                                  | 5 hour rate (0.66 A)   | 3.28Ah  |
|                                  | 2 hour rate (1.40 A)   | 2.80Ah  |
|                                  | 1 hour rate (2.40 A)   | 2.40Ah  |
|                                  | 0.5 hour rate (4.32 A) | 2.16Ah  |
| Capacity affected by Temperature | 40 °C (104 °F)         | 106%  |
|                                  | 25 °C (77 °F)          | 100%  |
|                                  | 0 °C (32 °F)           | 86%   |
|                                  | -15 °C (5 °F)          | 65%   |
| Charging Methods                 | Full Charge            | Constant-Voltage Charge:<br>Initial charging current: less than 1.2A<br>Voltage: 14.40 V ~ 15.00 V at 25 °C (77 °F)<br>Charging time: 15 ~18h<br>Constant-Current Charge:<br>Charging current: 0.1C <sub>10</sub> =0.40A, when charging voltage up to 14.40V, continue to charge 4h |
|                                  | Floating Charge        | No limit on Initial charging current<br>Voltage: 13.50 V ~ 13.80 V at 25 °C (77 °F)   |