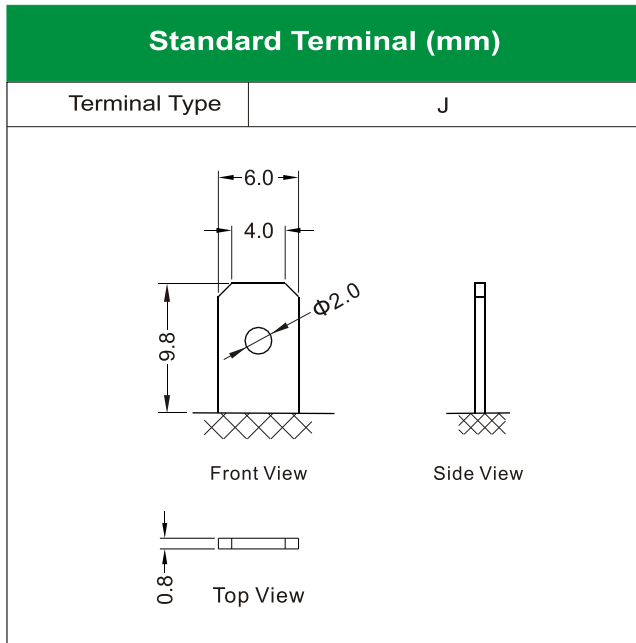
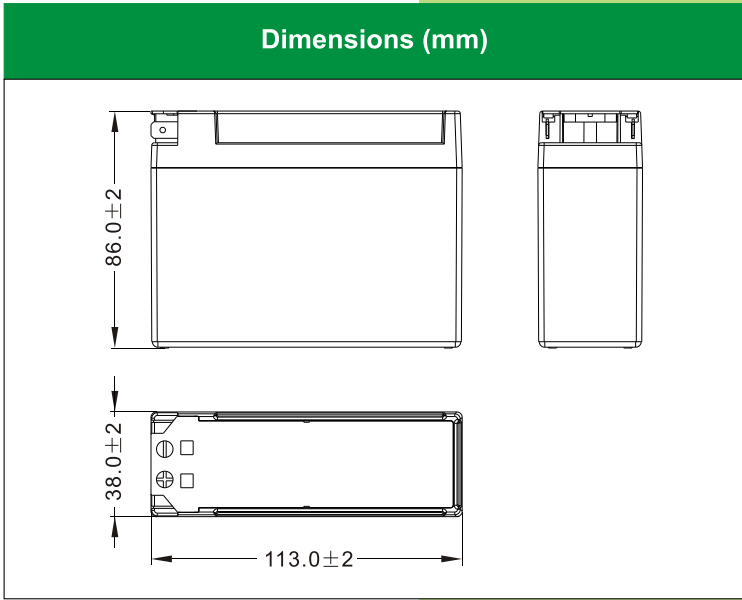




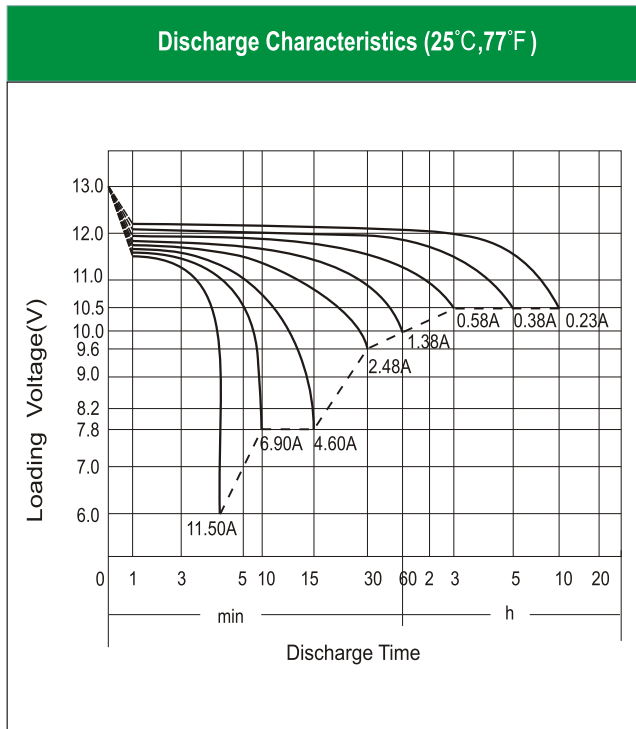
LT4B-5 [12V2.3Ah]



Physical Specification

Nominal Voltage		12V
Nominal Capacity (10HR)		2.3Ah
Dimension	Length	113 ± 2mm (4.45 inches)
	Width	38 ± 2mm (1.50 inches)
	Container Height	86 ± 2mm (3.39 inches)
	Total Height (with Terminal)	86 ± 2mm (3.39 inches)
Weight	Battery(with acid): Approx 0.91kg (2.01lbs)	
	Electrolyte: Approx 0.14kg (0.31lbs)	

- * Sealed and non-spillable AGM battery
- * Maintenance-free
- * Powerful 30 cold cranking amps
- * Shipped pre-charged and ready to install
- * Replaces LT4B-BS battery



Electrical Specification

Rated Capacity	10 hour rate (0.23 A)		2.30Ah
	5 hour rate (0.38 A)		1.89Ah
	2 hour rate (0.81 A)		1.61Ah
	1 hour rate (1.38 A)		1.38Ah
	0.5 hour rate (2.48 A)		1.24Ah
Capacity affected by Temperature	40 °C (104 °F)		106%
	25 °C (77 °F)		100%
	0 °C (32 °F)		86%
	-15 °C (5 °F)		65%
Charging Methods	Full Charge	Constant-Voltage Charge: Initial charging current: less than 0.69A Voltage: 14.40 V ~ 15.00 V at 25 °C (77 °F) Charging time: 15 ~18h Constant-Current Charge: Charging current: 0.1C ₁₀ =0.23A, when charging voltage up to 14.40V, continue to charge 4h	
	Floating Charge	No limit on Initial charging current Voltage: 13.50 V ~ 13.80 V at 25 °C (77 °F)	