

Specification

Nominal Voltage	6V	
Watts(15min Rate)	675.8 Watta at 1.67V/cell	
Dimension	Length	322±3mm (12.68 inches)
	Width	178±2mm (7.01 inches)
	Container Height	226±3mm (8.90 inches)
	Total Height (with Terminal)	232±3mm (9.13 inches)
Approx Weight	Approx 30.3 kg (66.8lbs)	
Terminal	T11	
Container Material	ABS	
Rated Capacity	206.0 AH/20.6A	(10hr, 1.80V/cell, 25°C/77°F)
	200.0 AH/25.0A	(8hr, 1.80V/cell, 25°C/77°F)
	174.5 AH/34.9A	(5hr, 1.75V/cell, 25°C/77°F)
	158.4 AH/52.8A	(3hr, 1.75V/cell, 25°C/77°F)
	136.0 AH/136.0A	(1hr, 1.60V/cell, 25°C/77°F)
Max. Discharge Current	2000A (5s)	
Internal Resistance	Approx 2mΩ	
Operating Temp. Range	Discharge	-15~50°C (5~122°F)
	Charge	0~40°C (32~104°F)
	Storage	-15~40°C (5~104°F)
Nominal Operating Temp. Range	25±3°C (77±5°F)	
Cycle Use	Initial Charging Current less than 60.0A. Voltage 7.2V~7.5V at 25°C(77°F)Temp. Coefficient -15mV/°C	
	Standby Use No limit on Initial Charging Current Voltage 6.75V~6.9V at 25°C(77°F)Temp. Coefficient -10mV/°C	
Capacity affected by Temperature	40°C (104°F)	103%
	25°C (77°F)	100%
	0°C (32°F)	86%
Self Discharge	Leoch LPX series batteries may be stored for up to 6 months at 25°C(77°F) and then a freshening charge is required. For higher temperatures the time interval will be shorter.	



Applications

- ◆ UPS (High rate)
- ◆ High power backup supply
- ◆ Emergency power supply
- ◆ Starting system
- ◆ Power tools
- ◆ Emergency lighting
- ◆ Electric starting



Constant Current Discharge (Amperes) at 25 °C (77°F)

F.V/Time	10min	15min	20min	30min	45min	1h	2h	3h	4h	5h	6h	8h	10h	20h
1.85V/cell	321.6	277.6	237.0	181.6	138.1	113.8	66.7	48.7	38.5	32.2	28.6	23.9	20.0	10.3
1.80V/cell	351.6	296.8	246.6	190.8	143.2	120.8	71.1	51.7	40.6	34.0	30.1	25.0	20.6	10.7
1.75V/cell	375.6	314.1	262.8	198.4	148.3	124.0	72.9	52.8	41.8	34.9	30.7	25.3	20.9	10.8
1.70V/cell	409.2	335.4	274.8	204.8	153.3	128.0	74.2	54.1	42.7	35.5	31.3	25.5	21.2	10.9
1.67V/cell	439.2	359.5	288.0	210.4	156.3	132.0	75.7	54.7	43.5	36.1	31.7	25.8	21.4	11.0
1.60V/cell	459.6	374.3	296.4	216.0	160.3	136.0	77.0	55.9	44.3	36.6	32.1	26.0	21.5	11.1

Constant Power Discharge (Watts/cell) at 25 °C (77°F)

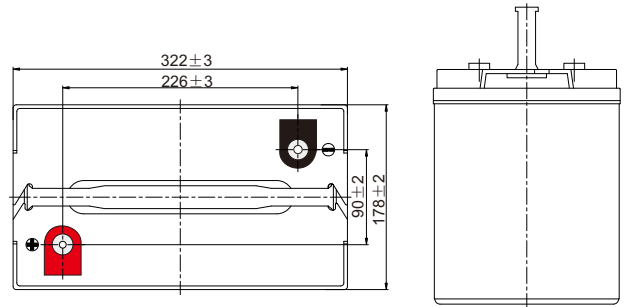
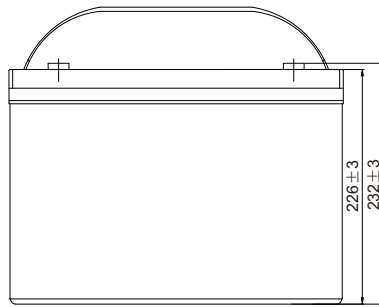
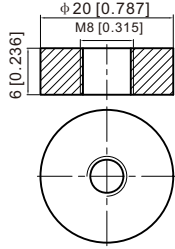
F.V/Time	10min	15min	20min	30min	45min	1h	2h	3h	4h	5h	6h	8h	10h	20h
1.85V/cell	609.4	536.6	461.7	356.1	272.6	225.7	132.7	97.2	77.1	64.7	57.6	48.3	40.5	20.9
1.80V/cell	661.4	570.2	477.7	372.4	281.1	238.5	141.1	102.9	81.0	68.2	60.5	50.4	41.6	21.6
1.75V/cell	701.2	599.7	506.7	385.7	290.2	244.2	144.2	104.8	83.2	69.6	61.5	50.8	41.9	21.7
1.70V/cell	757.8	636.2	527.1	396.5	299.2	251.3	146.3	107.0	84.8	70.7	62.4	51.0	42.4	21.8
1.67V/cell	805.5	675.8	548.4	405.0	303.5	258.1	148.8	108.0	86.1	71.8	63.2	51.4	42.7	22.0
1.60V/cell	834.2	697.8	559.6	412.6	309.3	264.7	150.7	109.8	87.4	72.5	63.8	51.8	43.0	22.1

Specifications subject to change without notice.

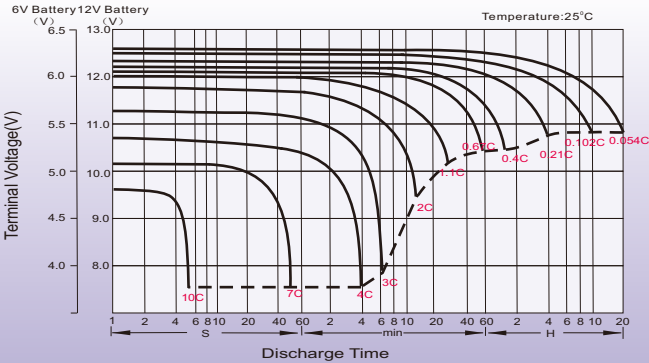
Dimensions

T11 Terminal

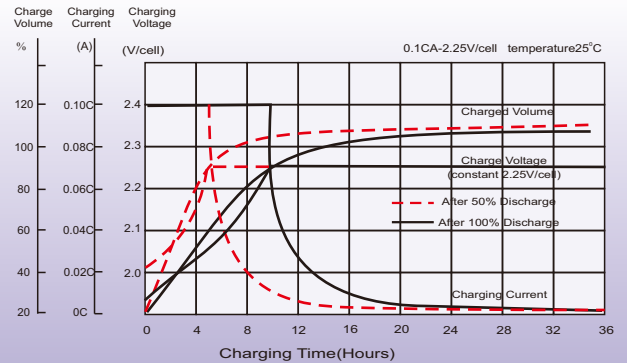
Unit: mm [inches]



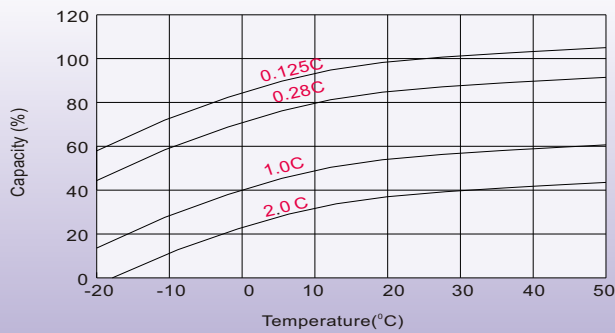
Discharge Characteristics



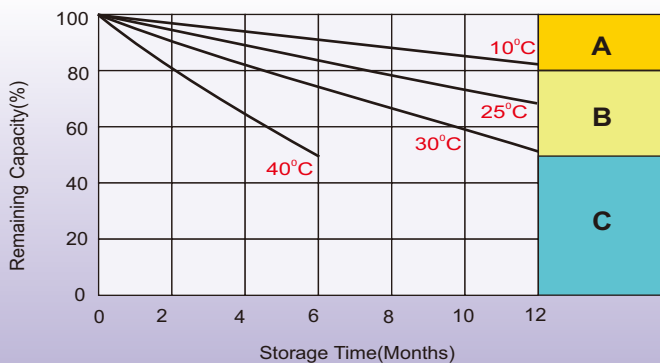
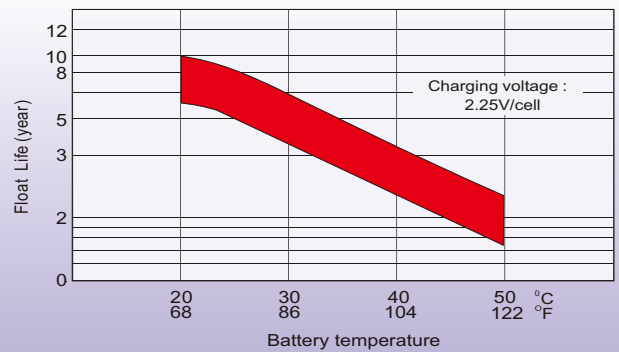
Float Charging Characteristics



Temperature Effects in Relation to Battery Capacity



Effect of Temperature on Long Term Float Life



Self Discharge Characteristics

- A** No supplementary charge required
(Carry out supplementary charge before use if 100% capacity is required.)
- B** Supplementary charge required before use. Optional charging way as below:
 1. Charged for above 3 days at limited current 0.25CA and constant volatge 2.25V/cell.
 2. Charged for above 20hours at limited current 0.25CA and constant volatge 2.45V/cell.
 3. Charged for 8-10hours at limited current 0.05CA .
- C** Supplementary charge may often fail to recover the capacity.
The battery should never be left standing till this is reached.

Sales Office

China sales office:

Add:5th Floor,Xinbaohui Bldg.,Nanhai Blvd.,
Nanshan,Shenzhen, China. 518052
Tel: +86-755-86036060 (100 lines)
Fax: +86-755-26067269
E-mail:export@leoch.com
Http://www.leoch.com

HongKong sales office:

Workshop C, 33/F, TML Tower,
No. 3 Hoi Shing Road, Tsuen Wan,
New Territories, Hong Kong
Tel: +852 35786666
Fax: +852 21170016
E-mail: sales.hk@leoch.com

Singapore sales office:

Add: No. 1 Tech Park Crescent,
Singapore 638131
Tel: +65 68636078
Fax: +65 68636079
Email sales.sg@leoch.com
Http://www.leoch.com

North America sales office:

Add: 19751 Descartes, Unit A,
Foothill Ranch, CA 92610, USA
Tel: 949-588-5853
Fax: 949-588-5966
E-mail: sales@leoch.us
Http://www.leoch.us

Europe sales office:

Add: 9B Wheatstone Court. Waterwells
Business Park, Gloucester, GL2-2AQ,
UK United Kingdom
Tel: +44(0) 1452 729428 / 1452 729696
Fax: +44 (0)1452-690125
E-mail: Sales.Europe@leoch.com