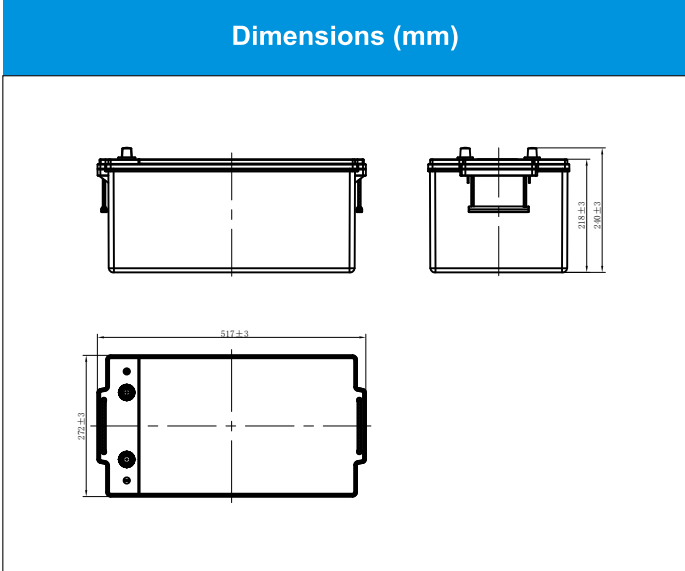
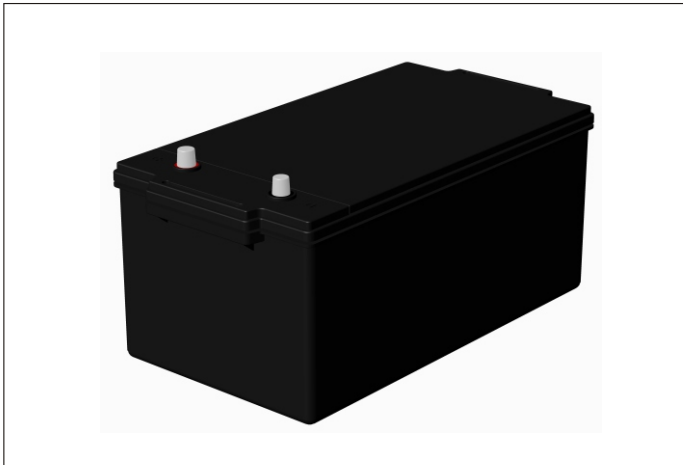




LPM12-240 12V240Ah

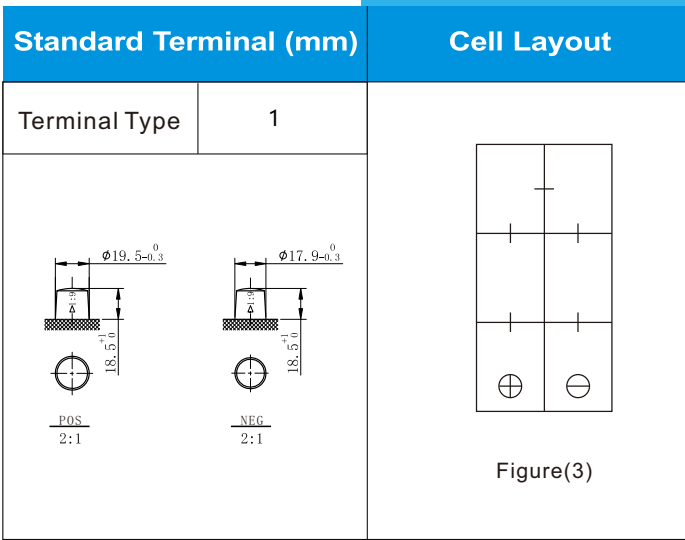


Physical Specification (mm)

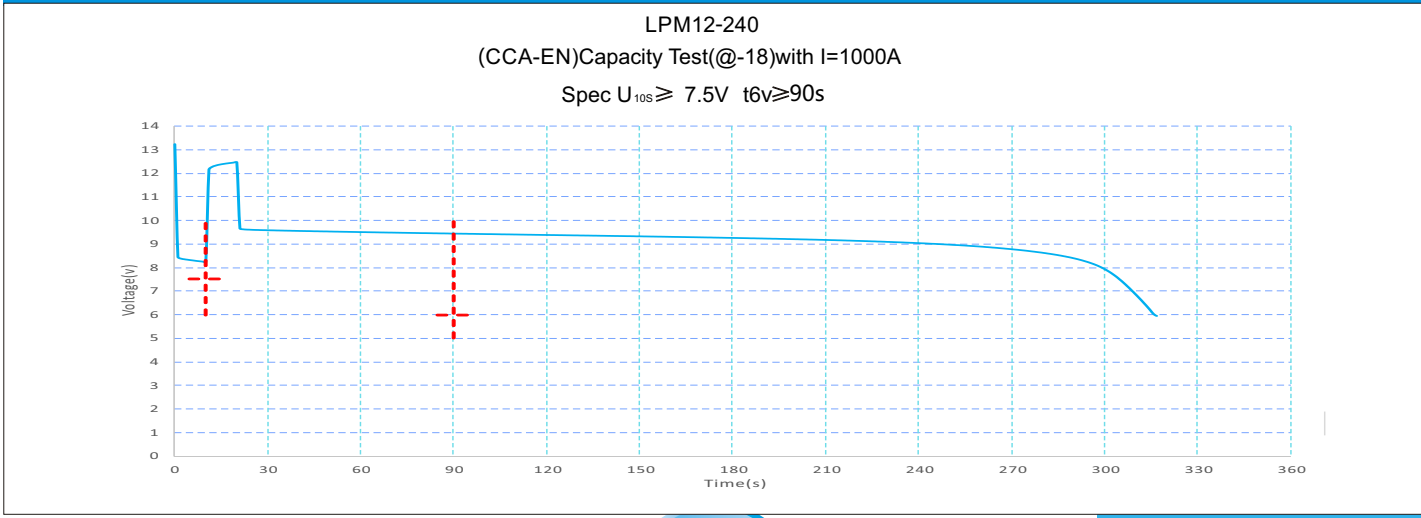
Nominal Voltage		12V
Nominal Capacity(20HR)		240Ah
Dimension	Length	517±3mm(20.35inches)
	Width	272±3mm(10.71inches)
	Container Height	218±3mm(8.58inches)
	Total Height(with Terminal)	240±3mm(9.45inches)
Weight		Approx 68.9Kg(151.92lbs)
Standard Terminal		1
Cell layout		3
Hold-Down		B0
Cell plate qty		/
Case		Black-PP Material
Cover		Black-PP Material
Handle		Black-PP Material

Electrical Specification

Rated Capacity	20 hour rate(12.0A)	240Ah
Reserve Capacity		505min
Cold Cranking Performance Amps@0°F(-18°C)		1000A



Discharge Characteristics(-18°C,0°F)



*Values are subject to variation of +/- 5% in normal manufacturing processes.
 *Technical specifications and the product line above could be changed without prior notice.