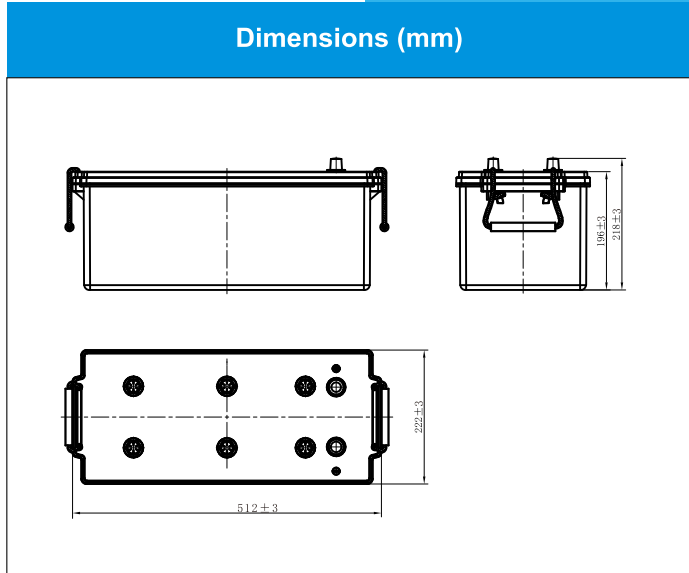
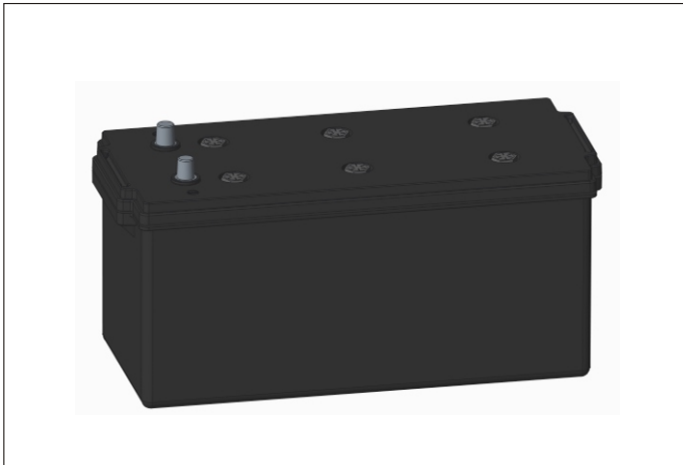




LPM12-180L-D [12V180Ah]

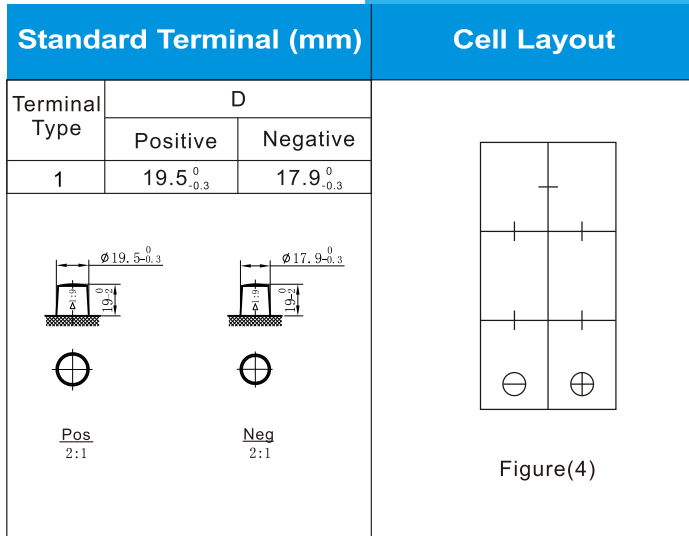


Physical Specification (mm)

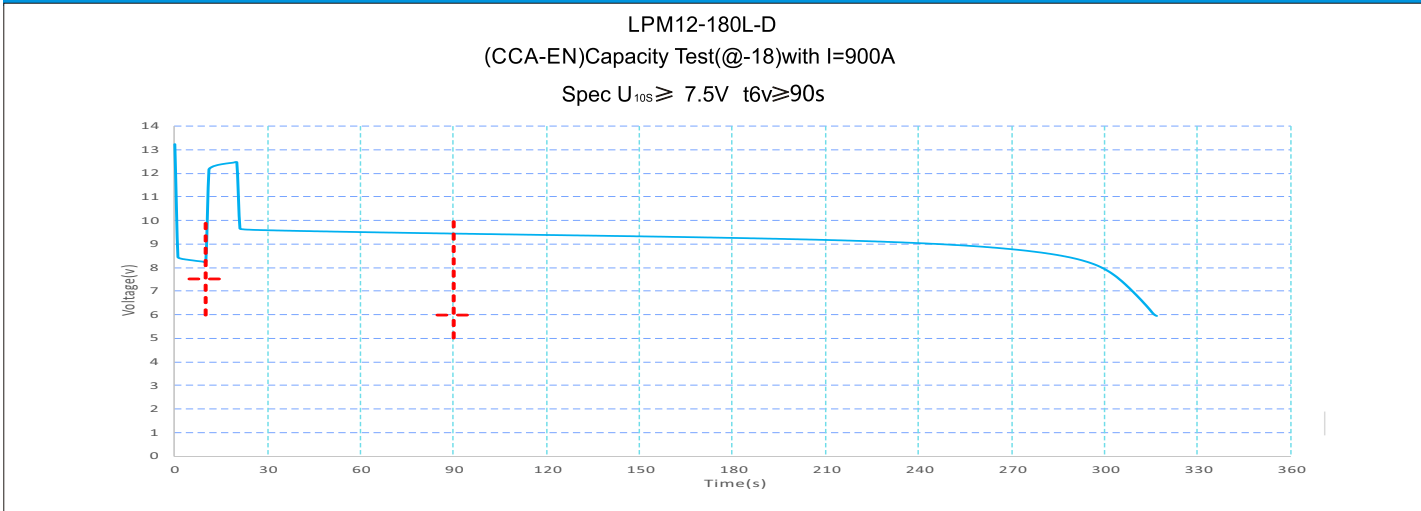
Nominal Voltage		12V
Nominal Capacity(20HR)		180Ah
Dimension	Length	512 ± 3 mm(20.16inches)
	Width	222 ± 3 mm(8.74inches)
	Container Height	196 ± 3 mm(7.72inches)
	Total Height(with Terminal)	218 ± 3 mm(8.58inches)
Weight		Approx 49.5Kg(109.15lbs)
Standard Terminal		1
Cell layout		4
Hold-Down		B0
Cell plate qty		/
Case		Black-PP Material
Cover		Black-PP Material
Handle		Black-PP Material

Electrical Specification

Rated Capacity	20 hour rate(9.0A)	180Ah
Reserve Capacity		380min
Cold Cranking Performance Amps@0°F(-18°C)		900A



Discharge Characteristics(-18°C,0°F)



*Values are subject to variation of +/- 5% in normal manufacturing processes.
 *Technical specifications and the product line above could be changed without prior notice.