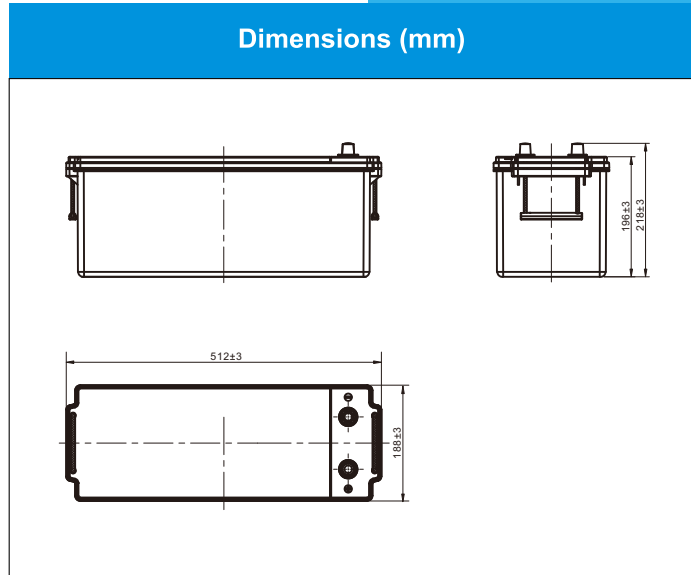
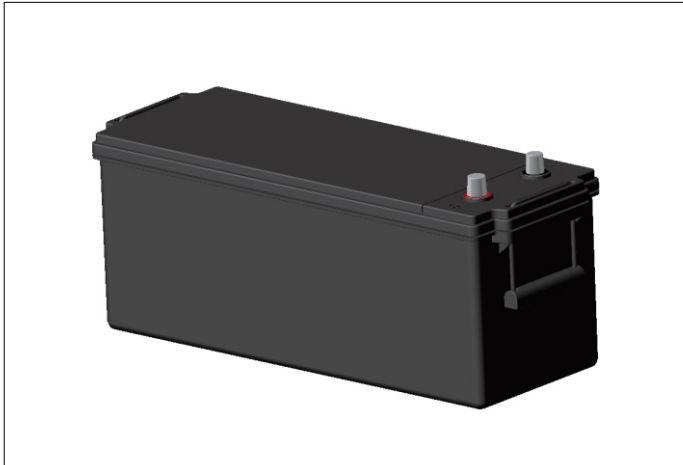


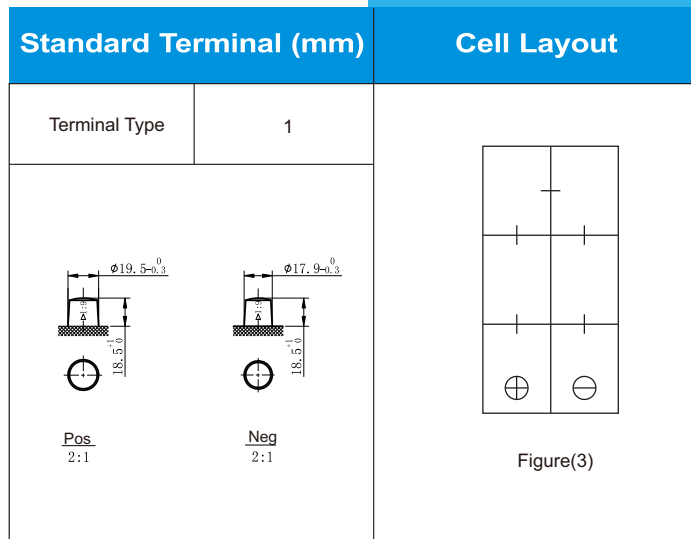


LPM12-140 [12V140Ah]

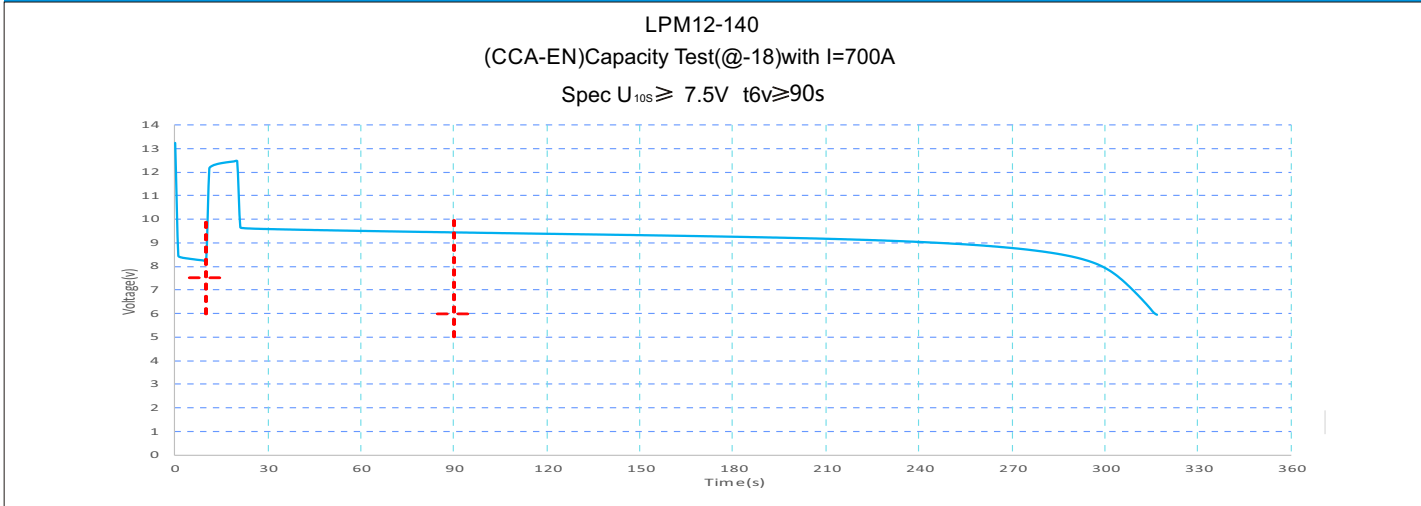


Physical Specification (mm)		
Nominal Voltage	12V	
Nominal Capacity(20HR)	140Ah	
Dimension	Length	512±3mm(20.16inches)
	Width	188±3mm(7.40inches)
	Container Height	196±3mm(7.72inches)
	Total Height(with Terminal)	218±3mm(8.58inches)
Weight	Approx 42.0Kg(92.61lbs)	
Standard Terminal	1	
Cell layout	3	
Hold-Down	B0	
Cell plate qty	/	
Case	Black-PP Material	
Cover	Black-PP Material	
Handle	Black-PP Material	

Electrical Specification		
Rated Capacity	20 hour rate(7.0A)	140Ah
Reserve Capacity		247min
Cold Cranking Performance Amps@0°F (-18°C)		700A



Discharge Characteristics(-18°C,0°F)



*Values are subject to variation of +/- 5% in normal manufacturing processes.
*Technical specifications and the product line above could be changed without prior notice.