



LPL Series-Long Standby Life LPL6-9.0(6V10Ah)

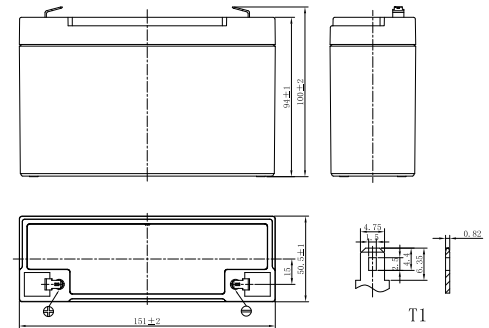


Specifications

Rated Voltage	6V	
Nominal Capacity	10.0Ah	(C ₂₀ , 1.75V/cell)
Dimension	Length	151±2mm (5.94 inches)
	Width	50.5±1mm (1.99 inches)
	Container Height	94±1mm (3.70 inches)
	Total Height	100±2mm (3.94 inches)
Approx Weight	1.70 Kg (3.75 lbs)	
Terminal	T1 / T2	
Container Material	ABS	
Rated Capacity (25°C)	9.00 Ah	(20hr, 0.450A, 1.75V/cell)
	8.95 Ah	(10hr, 0.895A, 1.75V/cell)
	8.60 Ah	(5hr, 1.72A, 1.75V/cell)
	7.89 Ah	(3hr, 2.63A, 1.75V/cell)
	6.57 Ah	(1hr, 6.57A, 1.60V/cell)
Max. Discharge Current	150A (5s)	
Internal Resistance (25°C)	Approx 18mΩ	
Operating Temp. Range	Discharge	-15 ~ 50°C (5 ~ 122°F)
	Charge	-20 ~ 40°C (-4 ~ 104°F)
	Storage	-15 ~ 40°C (5 ~ 104°F)
Nominal Operating Temp. Range	25±3°C (77±5°F)	
Cycle Use	Initial Charging Current less than 3.0A. Voltage 7.2V~7.5V at 25°C(77°F)Temp. Coefficient -15mV/°C	
Standby Use	Initial Charging Current less than 3.0A. Voltage 6.75V~6.90V at 25°C(77°F)Temp. Coefficient -10mV/°C	
Effect of temp. to Capacity	40°C (104°F)	103%
	25°C (77°F)	100%
	0°C (32°F)	86%
Self Discharge	LPL series batteries may be stored for up to 6 months at 25°C(77°F) and then a freshening charge is required. For higher temperatures the time interval will be shorter.	



Layout

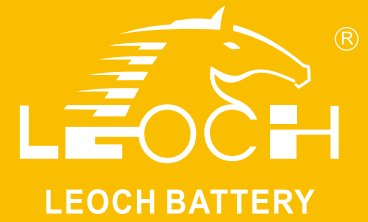


Constant Current Discharge (Amperes) at 25 °C (77°F)

F.V/Time	5min	10min	15min	20min	30min	45min	1h	1.5h	2h	3h	4h	5h	6h	8h	10h	20h
1.85V/cell	29.3	20.0	15.9	13.0	9.64	7.07	5.78	4.35	3.41	2.45	1.95	1.66	1.42	1.11	0.910	0.490
1.80V/cell	31.5	21.0	16.5	13.4	9.88	7.21	5.89	4.43	3.46	2.49	1.98	1.68	1.44	1.13	0.921	0.495
1.75V/cell	33.2	22.1	17.1	13.8	10.1	7.36	6.00	4.50	3.52	2.53	2.00	1.70	1.46	1.14	0.932	0.500
1.70V/cell	34.8	23.1	17.7	14.2	10.3	7.50	6.10	4.57	3.57	2.56	2.03	1.72	1.48	1.16	0.943	0.505
1.67V/cell	36.0	23.7	18.1	14.4	10.5	7.59	6.16	4.62	3.61	2.58	2.05	1.74	1.49	1.17	0.950	0.508
1.60V/cell	38.2	25.2	18.9	15.0	10.8	7.79	6.31	4.72	3.68	2.64	2.09	1.77	1.51	1.18	0.965	0.516

Constant Power Discharge (Watts/cell) at 25 °C (77°F)

F.V/Time	5min	10min	15min	20min	30min	45min	1h	1.5h	2h	3h	4h	5h	6h	8h	10h	20h
1.85V/cell	55.4	38.3	30.5	24.9	18.6	13.7	11.2	8.50	6.68	4.82	3.84	3.27	2.81	2.21	1.81	0.98
1.80V/cell	59.1	40.0	31.5	25.6	19.0	13.9	11.4	8.62	6.76	4.88	3.89	3.31	2.84	2.24	1.83	0.99
1.75V/cell	61.5	41.7	32.5	26.2	19.4	14.2	11.6	8.73	6.85	4.94	3.94	3.35	2.87	2.26	1.85	1.00
1.70V/cell	63.8	43.5	33.5	26.9	19.7	14.4	11.7	8.85	6.94	5.00	3.98	3.39	2.91	2.29	1.87	1.01
1.67V/cell	65.5	44.5	34.1	27.3	20.0	14.5	11.8	8.92	6.99	5.04	4.01	3.41	2.92	2.30	1.88	1.02
1.60V/cell	68.1	46.8	35.4	28.2	20.5	14.8	12.1	9.08	7.11	5.12	4.07	3.47	2.97	2.34	1.91	1.03



LPL Series-Long Standby Life

LPL6-9.0(6V10Ah)

Applications

- UPS and EPS
- Emergency light
- Railway signal and aircraft signal system
- Marine and power stations
- Alarm and security system
- Electronic apparatus and equipment
- Communication power supply, DC power supply

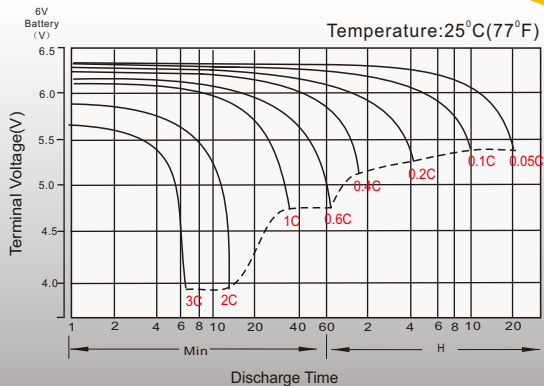
General Features

- 10 ~ 12 years design life(20°C)
- Grid refining technology and the thicker plates are used to extend the battery standby life and reduce the plate grid corrosion speed
- Using oxygen recombination technology: maintenance-free
- Unique vent valve design: control water losing, prevent air and spark going inside

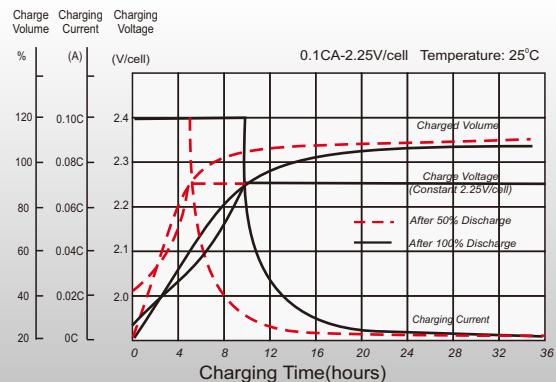
Standards

- Compliance with IEC 60896 standards, EU Battery Directive
- UL, CE Certified
- Manufactured in Leoch@IATF16949, OHSAS 18001, ISO 9001 and ISO 14001 certified production facilities

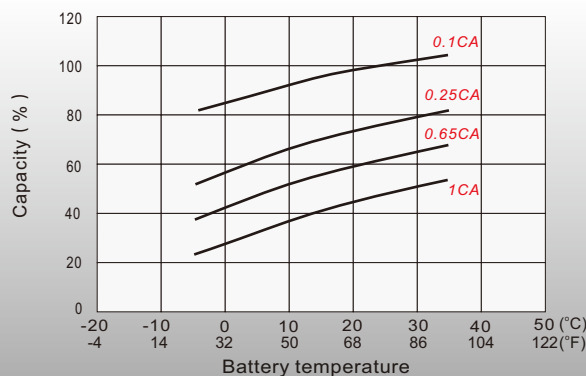
Discharge Characteristics



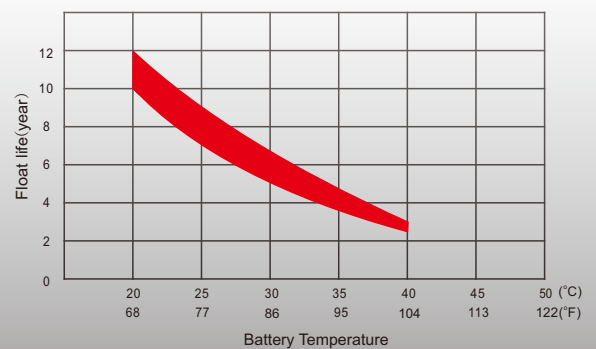
Float Charging Characteristics



Temperature Effects in Relation to Battery Capacity



Float Service Life



Sales Offices Worldwide

China Sales Office

5th Floor, Xinbaohui Bldg., Nanhai Blvd.,
Nanshan, Shenzhen, China. 518052
Tel: +86-755-86036060 (100 lines)
Tel: +86-755-26067269
E-mail: export@leoch.com

HongKong Sales Office

Workshop C, 33/F, TML Tower, No. 3 Hoi Shing Road,
Tsuen Wan, New Territories, Hong Kong
Tel: +852 35786666
Tel: +44(0) 1452 729428 / 1452 729696
Fax: +44 1452 690125
E-mail: sales.hk@leoch.com

Singapore Sales Office

No. 1 Tech Park Crescent,
Singapore 638131
Tel: +65 68636078
Tel: +65 6863 6079
Email: sales.sg@leoch.com

Australia Sales Office

2 /29 Tarlington Place, Smithfield. NSW 2164
Australia
Tel: 02 9756 0950
E-mail: sales.au@leoch.com

North America Sales Office

19751 Descartes
Foothill Ranch, CA 92610, USA
Tel: 949-588-5853
Tel: 949-588-5966
E-mail: sales@leoch.us
Http://www.leoch.us

UK Sales Office

9B Wheatstone Court. Waterwells, Business Park,
Gloucester, GL2-2AQ, UK United Kingdom
Tel: +44(0) 1452 729428 / 1452 729696
Tel: +44 1452 690125
E-mail: Sales.Europe@leoch.com
Http://www.leoch.eu

EMEA Sales Office

1 Deligiorgi St., 121 31 Athens,
Greece
Tel: +30 210 5760318 (2 lines)
Tel: +30 210 5760318 (2 lines)
E-mail: support_EMEA@leoch.com
Http://www.leoch.eu

India Sales Office

Shed no.A-53(b), 2nd Stage of Peenya Industrial Area,
Bangalore North Taluk, Bangalore-560058, India
Tel: +91-80-23440018/23440019
Tel: +91-80-23440017
E-mail: indiasales@leoch.com



[Http://www.leoch.com](http://www.leoch.com)

© 2020 LEOCH. All rights reserved.

Trademarks and logos are the property of LEOCH and its affiliates unless otherwise noted.
Subject to revisions without prior notice.

Publication No.: LB-LPL6-9.0-PD-EN-V2.0-202005