



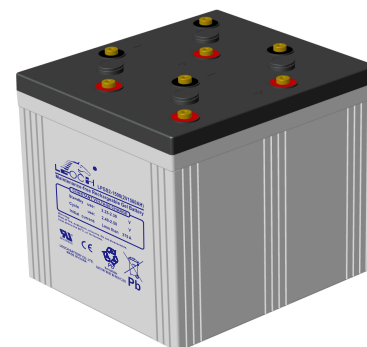
# LPGS Series-Gel Battery

## LPGS2-1500(2V1500Ah)

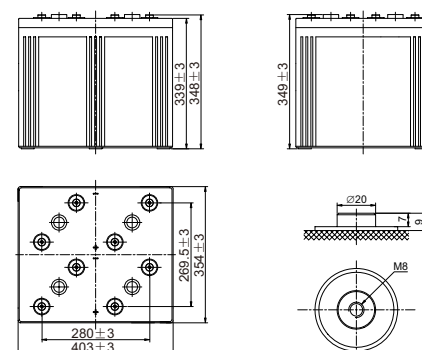


### Specifications

Rated Voltage	2V	
Nominal Capacity	1500.0Ah	(C <sub>10</sub> , 1.80V/cell)
Dimension	Length	403±3mm (15.9 inches)
	Width	354±3mm (13.9 inches)
	Container Height	339±3mm (13.3 inches)
	Total Height	349±3mm (13.7 inches)
Approx Weight	96.6 Kg (213.0 lbs)	
Terminal	M8	
Container Material	ABS	
Rated Capacity (25°C)	1556.0 Ah	(20hr, 77.8A, 1.80V/cell)
	1500.0 Ah	(10hr, 150.0A, 1.80V/cell)
	1286.5 Ah	(5hr, 257.3A, 1.75V/cell)
	1134.3 Ah	(3hr, 378.1A, 1.75V/cell)
	781.0 Ah	(1hr, 781.0A, 1.67V/cell)
Max. Discharge Current	12000A (5s)	
Internal Resistance (25°C)	Approx 0.55mΩ	
Operating Temp. Range	Discharge : -20 ~ 55°C (-4 ~ 131°F)	
	Charge : -20 ~ 40°C (-4 ~ 104°F)	
	Storage : -20 ~ 50°C (-4 ~ 122°F)	
Nominal Operating Temp. Range	25±3°C (77±5°F)	
Cycle Use	Initial Charging Current less than 375.0A. Voltage 2.35V~2.40V at 25°C(77°F)Temp. Coefficient -5mV/°C	
Standby Use	Initial Charging Current less than 375.0A. Voltage 2.25V~2.30V at 25°C(77°F)Temp. Coefficient -3mV/°C	
Effect of temp. to Capacity	40°C (104°F)	103%
	25°C (77°F)	100%
	0°C (32°F)	86%
Self Discharge	LPGS series batteries may be stored for up to 6 months at 25°C(77°F) and then a freshening charge is required. For higher temperatures the time interval will be shorter.	



### Layout



### Constant Current Discharge (Amperes) at 25 °C (77°F)

F.V/Time	10min	15min	20min	30min	45min	1h	2h	3h	4h	5h	6h	8h	10h	20h
1.85V/cell	1701.1	1500.1	1350.1	1116.7	885.6	715.8	445.4	358.0	282.8	243.1	208.3	167.7	143.0	76.0
1.80V/cell	2011.2	1704.0	1503.1	1198.4	931.6	751.0	469.9	376.5	295.4	255.3	217.5	174.3	150.0	77.8
1.75V/cell	2268.1	1872.1	1620.1	1268.9	979.6	756.3	489.3	378.1	305.3	257.3	222.8	177.5	151.2	78.8
1.70V/cell	2434.7	1998.1	1732.7	1331.6	1011.3	760.5	503.7	381.8	312.1	259.0	226.5	180.3	152.3	79.8
1.67V/cell	2525.2	2052.3	1732.7	1364.0	1038.8	781.0	511.3	384.5	315.4	260.7	228.5	181.5	153.3	80.0
1.60V/cell	2718.5	2169.3	1852.5	1421.1	1075.4	810.3	525.2	388.5	320.9	264.8	232.0	184.0	155.7	81.0

### Constant Power Discharge (Watts/cell) at 25 °C (77°F)

F.V/Time	10min	15min	20min	30min	45min	1h	2h	3h	4h	5h	6h	8h	10h	20h
1.85V/cell	3197.9	2838.1	2565.8	2134.7	1703.0	1382.5	864.8	696.9	553.2	477.8	410.2	332.0	283.7	150.8
1.80V/cell	3720.7	3178.4	2823.0	2270.6	1777.5	1442.0	908.0	728.0	575.7	499.2	427.0	343.8	297.0	154.0
1.75V/cell	4130.0	3442.7	3008.1	2381.9	1855.3	1447.2	942.3	732.3	593.4	500.9	435.8	349.5	299.0	156.3
1.70V/cell	4365.9	3632.8	3186.1	2480.2	1905.2	1450.2	965.8	734.7	604.2	503.0	442.8	354.5	301.0	157.8
1.67V/cell	4481.2	3696.4	3159.7	2519.1	1945.1	1480.7	976.9	736.9	609.3	505.0	445.5	356.3	302.5	158.3
1.60V/cell	4707.9	3829.8	3330.9	2598.0	1996.1	1523.5	996.6	744.3	617.4	511.0	450.8	360.3	307.0	160.0



# LPGS Series-Gel Battery

## LPGS2-1500(2V1500Ah)



### Applications

- Telecommunications
- Uninterruptable Power System
- Power system communication, military communication, etc.
- Network communication including: data transmission, television signal transmission, etc.

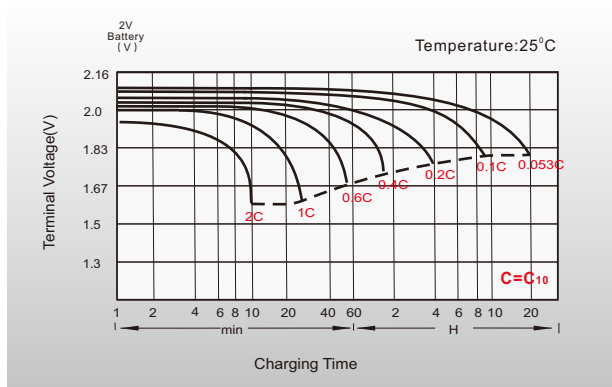
### General Features

- Adopted advantage AGM-GEL technology
- Operation temperature  $-20 \sim 55^{\circ}\text{C}$
- $\leq 3\%$  Self discharge @ $25^{\circ}\text{C}$

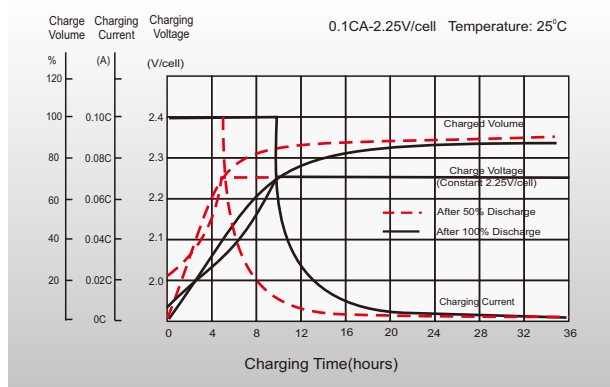
### Standards

- IEC 60896 Certified
- Classified as "Very Long Life" according to Eurobat
- UL Certified, CE Certified
- Manufactured in Leoch® IATF16949, ISO 9001, ISO 14001 and ISO 45001 certified production facilities

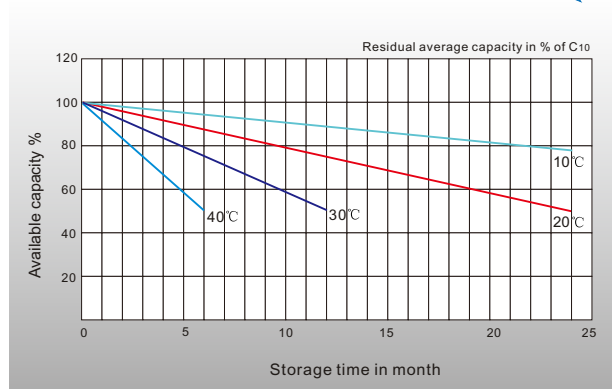
### Discharge Characteristics



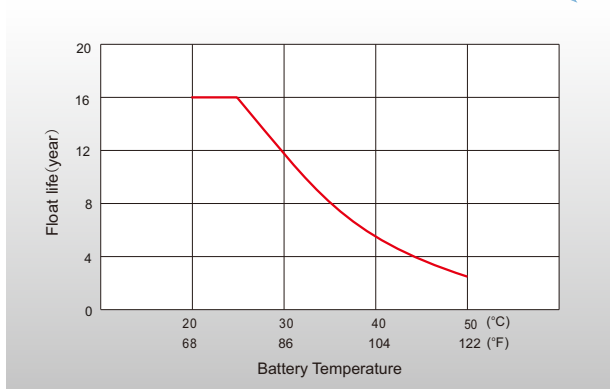
### Float Charging Characteristics



### General Relation of Capacity VS. Storage Time



### Effect of Temperature on Long Term Float Life



### Sales Offices Worldwide

#### China Sales Office

5th Floor, Xinhua Bldg., Nanshan Blvd.,  
Nanshan, Shenzhen, China. 518052  
Tel: +86-755-86036060 (100 lines)  
Fax: +86-755-26067269  
E-mail: export@leoch.com

#### HongKong Sales Office

Workshop C, 33/F, TML Tower, No. 3 Hoi Shing Road,  
Tsuen Wan, New Territories, Hong Kong  
Tel: +852 35786666  
Fax: +44 1452 690125  
E-mail: sales.hk@leoch.com

#### Singapore Sales Office

No. 1 Tech Park Crescent,  
Singapore 638131  
Tel: +65 68636078  
Fax: +65 6863 6079  
Email: sales.sg@Leoch.com

#### Australia Sales Office

2/29 Tarlington Place, Smithfield, NSW 2164  
Australia  
Tel: 02 9756 0950  
E-mail: sales.au@leoch.com

#### North America Sales Office

19751 Descartes  
Foothill Ranch, CA 92610, USA  
Tel: 949-588-5853  
Fax: 949-588-5966  
E-mail: sales@leoch.us

#### UK Sales Office

9B Wheatstone Court, Waterwells, Business Park,  
Gloucester, GL2-2AQ, UK United Kingdom  
Tel: +44(0) 1452 729428 / 1452 729696  
Fax: +44 1452 690125  
E-mail: Sales.Europe@leoch.com

#### EMEA Sales Office

1 Deligiorgi St., 121 31 Athens,  
Greece  
Tel: +30 210 5760318 (2 lines)  
E-mail: support\_EMEA@leoch.com

#### India Sales Office

Shed no. A-53(b), 2nd Stage of Peenya Industrial Area,  
Bangalore North Taluk, Bangalore-560058, India  
Tel: +91-80-23440018/23440019  
Fax: +91-80-23440017  
E-mail: indiasales@leoch.com