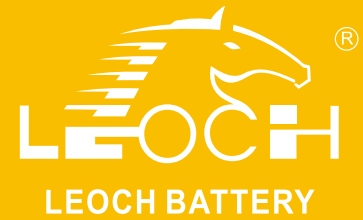




# LP Series-General Purpose LP6-36(6V36Ah)

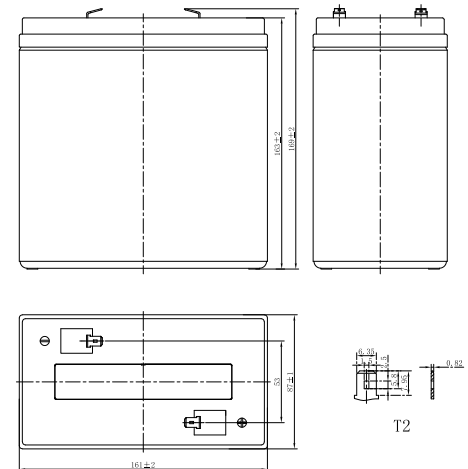


## Specifications

Rated Voltage	6V	
Nominal Capacity	36.0Ah	(C <sub>20</sub> , 1.75V/cell)
Dimension	Length	161±2mm (6.34 inches)
	Width	87±1mm (3.43 inches)
	Container Height	163±2mm (6.42 inches)
	Total Height	169±2mm (6.65 inches)
Approx Weight	5.50 Kg (12.1 lbs)	
Terminal	T2	
Container Material	ABS	
Rated Capacity (25°C)	36.0 Ah	(20hr, 1.80A, 1.75V/cell)
	34.0 Ah	(10hr, 3.40A, 1.75V/cell)
	31.8 Ah	(5hr, 6.35A, 1.75V/cell)
	27.8 Ah	(3hr, 9.28A, 1.75V/cell)
	22.4 Ah	(1hr, 22.4A, 1.60V/cell)
Max. Discharge Current	540A (5s)	
Internal Resistance (25°C)	Approx 8.0mΩ	
Operating Temp. Range	Discharge	-15 ~ 50°C (5 ~ 122°F)
	Charge	-20 ~ 40°C (-4 ~ 104°F)
	Storage	-15 ~ 40°C (5 ~ 104°F)
Nominal Operating Temp. Range	25±3°C (77±5°F)	
Cycle Use	Initial Charging Current less than 10.8A. Voltage 7.2V~7.5V at 25°C(77°F)Temp. Coefficient -15mV/°C	
	Standby Use	
Effect of temp. to Capacity	Initial Charging Current less than 10.8A. Voltage 6.75V~6.9V at 25°C(77°F)Temp. Coefficient -10mV/°C	
	40°C (104°F)	103%
	25°C (77°F)	100%
Self Discharge	0°C (32°F)	86%
	LP series batteries may be stored for up to 6 months at 25°C(77°F) and then a freshening charge is required. For higher temperatures the time interval will be shorter.	



## Layout



## Constant Current Discharge (Amperes) at 25 °C (77°F)

F.V/Time	5min	10min	15min	20min	30min	45min	1h	1.5h	2h	3h	4h	5h	6h	8h	10h	20h
1.85V/cell	90.4	63.6	52.3	41.4	31.1	23.4	20.3	15.2	12.3	8.99	7.26	6.18	5.29	4.17	3.33	1.76
1.80V/cell	97.2	67.4	54.9	43.1	32.1	24.0	20.8	15.5	12.5	9.13	7.37	6.27	5.38	4.23	3.37	1.78
1.75V/cell	102.5	70.1	56.8	44.3	32.9	24.6	21.2	15.8	12.7	9.28	7.47	6.35	5.44	4.28	3.40	1.80
1.70V/cell	107.3	72.9	58.7	45.6	33.7	25.1	21.6	16.1	12.9	9.42	7.57	6.44	5.50	4.32	3.44	1.81
1.67V/cell	111.0	75.0	60.1	46.5	34.3	25.5	21.9	16.3	13.1	9.51	7.64	6.49	5.55	4.36	3.46	1.83
1.60V/cell	117.8	78.2	62.2	47.9	35.2	26.1	22.4	16.6	13.3	9.68	7.78	6.60	5.63	4.42	3.51	1.85

## Constant Power Discharge (Watts/cell) at 25 °C (77°F)

F.V/Time	5min	10min	15min	20min	30min	45min	1h	1.5h	2h	3h	4h	5h	6h	8h	10h	20h
1.85V/cell	171.1	121.1	100.2	79.8	60.1	45.4	39.4	29.6	24.0	17.7	14.3	12.2	10.5	8.27	6.61	3.52
1.80V/cell	182.2	127.4	104.6	82.5	61.7	46.5	40.3	30.2	24.4	17.9	14.5	12.4	10.6	8.38	6.70	3.56
1.75V/cell	189.9	131.6	107.4	84.4	63.0	47.3	40.9	30.6	24.8	18.2	14.7	12.5	10.7	8.46	6.75	3.60
1.70V/cell	196.9	135.9	110.3	86.3	64.3	48.2	41.6	31.1	25.1	18.4	14.8	12.7	10.8	8.54	6.82	3.63
1.67V/cell	202.0	139.0	112.6	87.9	65.3	48.8	42.1	31.4	25.3	18.5	15.0	12.8	10.9	8.61	6.87	3.66
1.60V/cell	210.2	143.1	115.7	90.1	66.7	49.7	42.8	31.9	25.8	18.8	15.2	12.9	11.1	8.72	6.95	3.70



# LP Series-General Purpose LP6-36(6V36Ah)



## Applications

- All purpose
- Uninterruptable Power Supply (UPS)
- Electric Power System (EPS)
- Emergency backup power supply
- Alarm and security system
- Communication power supply
- DC power supply
- Auto control system

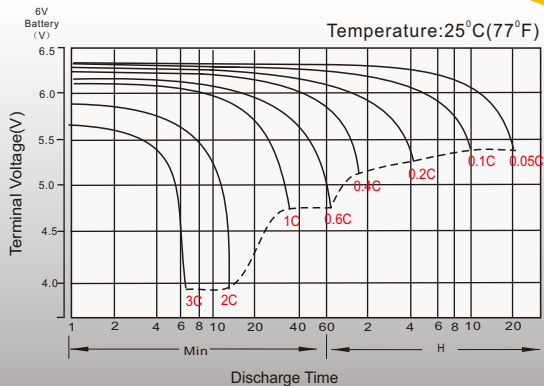
## General Features

- 5 years design life(25°C)
- Special exhaust structure and sealing technology, safe and reliable, flexible installation, convenient maintenance
- PbCaSn alloy for plate grids: less gassing, less self-discharging
- High quality AGM separator: extend cycle life and prevent micro short circuit
- High purity raw material: ensure low self discharge rate

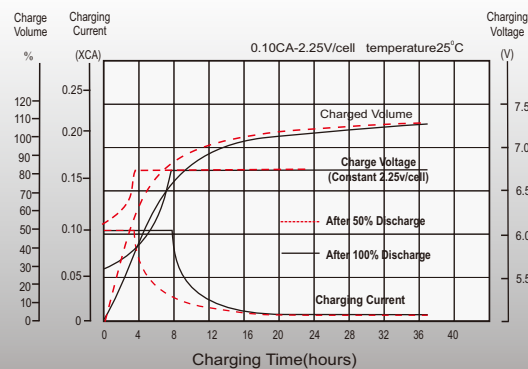
## Standards

- Compliance with IEC 60896 standards, EU Battery Directive
- UL, CE Certified
- Manufactured in Leoch®IATF 16949, ISO45001, ISO 9001 and ISO 14001 certified production facilities

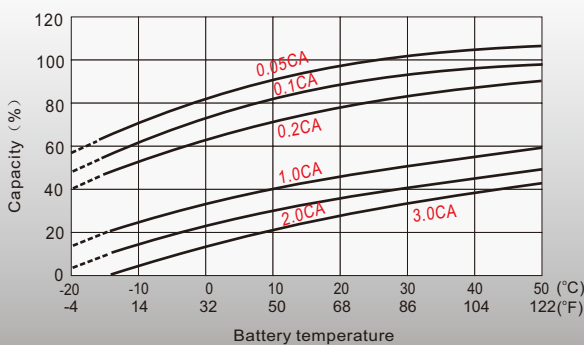
## Discharge Characteristics



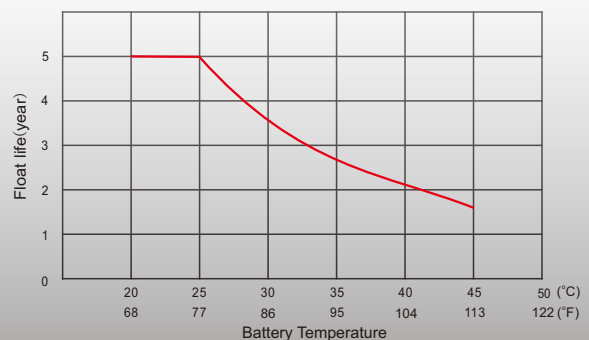
## Float Charging Characteristics



## Temperature Effects in Relation to Battery Capacity



## Float Service Life



## Sales Offices Worldwide

### China Sales Office

5th Floor, Xinbaohui Bldg., Nanhai Blvd.,  
Nanshan, Shenzhen, China. 518052  
Tel: +86-755-86036060 (100 lines)  
Tel: 949-588-5853  
Fax: +86-755-26067269  
E-mail: export@leoch.com

### HongKong Sales Office

Workshop C, 33/F, TML Tower, No. 3 Hoi Shing Road,  
Tsuen Wan, New Territories, Hong Kong  
Tel: +852 35786666  
Tel: +44(0) 1452 729428 / 1452 729696  
Fax: +44 1452 690125  
E-mail: sales.hk@leoch.com

### Singapore Sales Office

No. 1 Tech Park Crescent,  
Singapore 638131  
Tel: +65 68636078  
Tel: +30 210 5760318 (2 lines)  
Fax: +65 6863 6079  
E-mail: sales.sg@leoch.com

### Australia Sales Office

2 /29 Tarlington Place, Smithfield, NSW 2164  
Australia  
Tel: 02 9756 0950  
E-mail: sales.au@leoch.com

### North America Sales Office

19751 Descartes  
Foothill Ranch, CA 92610, USA  
Tel: 949-588-5853  
Tel: 949-588-5966  
E-mail: sales@leoch.us  
Http:// www.leoch.us

### UK Sales Office

9B Wheatstone Court, Waterwells, Business Park,  
Gloucester, GL2-2AQ, UK United Kingdom  
Tel: +44(0) 1452 729428 / 1452 729696  
Tel: +44 1452 690125  
E-mail: Sales.Europe@leoch.com  
Http:// www.leoch.eu

### EMEA Sales Office

1 Deligiorgi St., 121 31 Athens,  
Greece  
Tel: +30 210 5760318 (2 lines)  
Tel: support\_EMEA@leoch.com  
Http:// www.leoch.eu

### India Sales Office

Shed no.A-53(b), 2nd Stage of Peenya Industrial Area,  
Bangalore North Taluk, Bangalore-560058, India  
Tel: +91-80-23440018/23440019  
Tel: +91-80-23440017  
E-mail: indiasales@leoch.com



[Http://www.leoch.com](http://www.leoch.com)

© 2020 LEOCH. All rights reserved.

Trademarks and logos are the property of LEOCH and its affiliates unless otherwise noted.  
Subject to revisions without prior notice.

Publication No.: LB-LP6-36-PD-EN-V2.0-202004