



# LP Series-General Purpose LP2-300(2V300Ah)

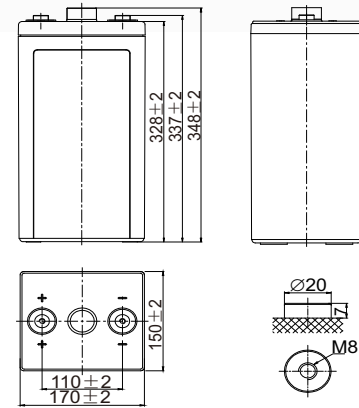


## Specifications

Rated Voltage	2V	
Nominal Capacity	C <sub>10</sub> , 1.80V/cell	300Ah
Dimension	Length	170±2mm (6.69 inches)
	Width	150±2mm (5.91 inches)
	Container Height	328±2mm (12.9 inches)
	Total Height	348±2mm (13.7 inches)
Approx Weight	18.8kg (41.4 lbs)	
Terminal	M8	
Container Material	ABS	
Rated Capacity(25°C)	318.0 Ah	C20(15.9A, 1.80V/cell)
	300.0 Ah	C10(30.0A, 1.80V/cell)
	262.5 Ah	C5(52.5A, 1.75V/cell)
	234.0 Ah	C3(78.0A, 1.75V/cell)
	184.0 Ah	C1(184.0A, 1.60V/cell)
Max. Discharge Current	2400A (5s)	
Internal Resistance(25°C)	Approx 0.78mΩ	
Operating Temp. Range	Discharge	-15 ~ 50°C (5 ~ 122°F)
	Charge	-20 ~ 40°C (-4 ~ 104°F)
	Storage	-15 ~ 40°C (5 ~ 104°F)
Nominal Operating Temp. Range	25±3°C (77±5°F)	
Standby Use	Initial Charging Current less than 90A. Voltage 2.23V~2.27V at 25°C(77°F)Temp. Coefficient -3mV/°C	
Equalization Use	Initial Charging Current less than 90A. Voltage 2.35V~2.40V at 25°C(77°F)Temp. Coefficient -4mV/°C	
Cycle Use	Initial Charging Current less than 90A. Voltage 2.40V~2.50V at 25°C(77°F)Temp. Coefficient -5mV/°C	
Effect of temp. to Capacity	40°C (104°F)	103%
	25°C (77°F)	100%
	0°C (32°F)	86%
Self Discharge	LP series batteries may be stored for up to 6 months at 25°C(77°F) and then a freshening charge is required. For higher temperatures the time interval will be shorter.	



## Layout



## Constant Current Discharge (Amperes) at 25°C (77°F)

F.V/Time	30min	45min	1h	1.5h	2h	3h	4h	5h	6h	8h	10h	20h
1.85V/cell	208.8	165.1	144.5	113.9	92.3	70.2	56.5	47.7	41.4	33.6	28.1	15.1
1.80V/cell	236.1	184.6	159.9	124.7	100.4	76.0	60.9	51.3	44.4	36.0	30.0	15.9
1.75V/cell	246.7	192.1	165.8	128.9	103.5	78.0	62.4	52.5	45.3	36.7	30.5	16.1
1.70V/cell	263.5	199.4	171.9	133.2	106.8	80.3	64.0	53.7	46.3	37.3	30.9	16.3
1.67V/cell	281.7	203.9	175.5	135.6	108.6	81.5	64.9	54.4	46.8	37.7	31.2	16.4
1.60V/cell	284.9	214.4	184.0	141.7	113.1	84.5	67.0	56.0	48.1	38.6	31.9	16.7

## Constant Power Discharge (Watts/cell) at 25°C (77°F)

F.V/Time	30min	45min	1h	1.5h	2h	3h	4h	5h	6h	8h	10h	20h
1.85V/cell	403.6	320.1	280.9	222.1	180.4	137.7	111.0	93.8	81.6	66.4	55.6	30.0
1.80V/cell	452.4	355.3	308.7	241.7	195.3	148.4	119.2	100.8	87.3	71.0	59.3	31.6
1.75V/cell	468.9	366.9	317.9	248.3	200.2	151.7	121.7	102.7	88.9	72.1	60.1	32.0
1.70V/cell	496.1	377.9	327.3	255.1	205.5	155.4	124.4	104.8	90.5	73.3	60.9	32.3
1.67V/cell	525.3	384.4	332.5	258.8	208.2	157.3	125.8	105.8	91.5	73.9	61.4	32.6
1.60V/cell	526.8	400.0	345.4	268.1	215.3	162.1	129.3	108.6	93.6	75.4	62.6	33.1



# LP Series-General Purpose LP2-300(2V300Ah)

## Applications

- Tele-communication central station (wired or cellular)
- Power system communication, military communication, etc.
- Network communication including: data transmission, television signal transmission, etc.
- Uninterruptable Power System (UPS- for Telecom)

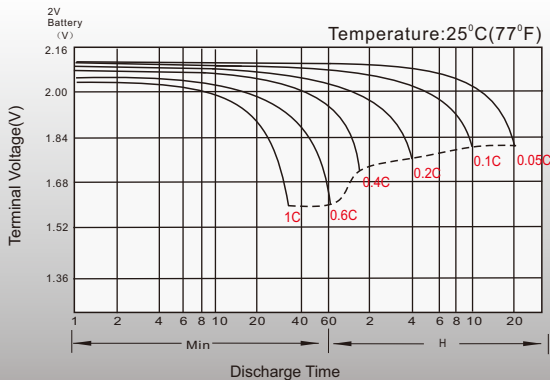
## General Features

- 15 years design life(25°C)
- Special exhaust structure and sealing technology, safe and reliable, flexible installation, convenient maintenance
- PbCaSn alloy for plate grids: less gassing, less self-discharging
- High quality AGM separator: extend cycle life and prevent micro short circuit
- High purity raw material: ensure low self discharge rate

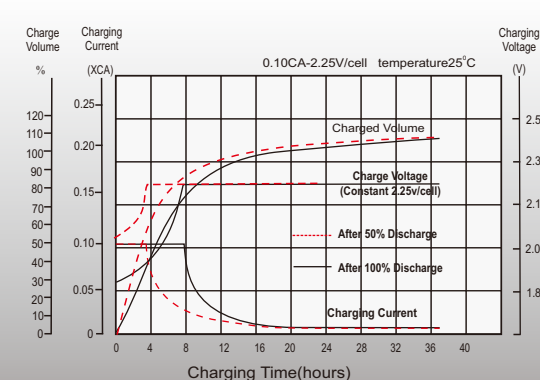
## Standards

- Compliance with IEC 60896 standards, EU Battery Directive
- UL, CE Certified
- Manufactured in Leoch®IATF 16949, ISO45001,ISO 9001 and ISO 14001 certified production facilities

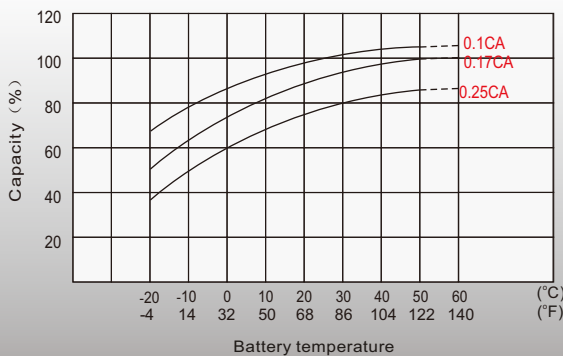
## Discharge Characteristics



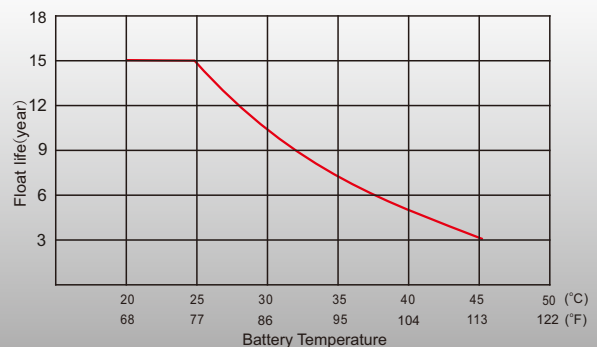
## Float Charging Characteristics



## Temperature Effects in Relation to Battery Capacity



## Effect of Temperature on Long Term Float Life



## Sales Offices Worldwide

### China Sales Office

5th Floor, Xinbaohui Bldg., Nanhai Blvd.,  
Nanshan, Shenzhen, China. 518052  
Tel: +86-755-86036060 (100 lines)  
Fax: +86-755-26067269  
E-mail: export@leoch.com

### HongKong Sales Office

Workshop C, 33/F, TML Tower, No. 3 Hoi Shing Road,  
Tsuen Wan, New Territories, Hong Kong  
Tel: +852 35786666  
Fax: +44 1452 690125  
E-mail: sales.hk@leoch.com

### Singapore Sales Office

No. 1 Tech Park Crescent,  
Singapore 638131  
Tel: +65 68636078  
Fax: +65 6863 6079  
Email: sales.sg@leoch.com

### Australia Sales Office

2 /29 Tarlington Place, Smithfield. NSW 2164  
Australia  
Tel: 02 9756 0950  
E-mail: sales.au@leoch.com

### North America Sales Office

19751 Descartes  
Foothill Ranch, CA 92610, USA  
Tel: 949-588-5853  
Fax: 949-588-5966  
E-mail: sales@leoch.us  
Http:// www.leoch.us

### UK Sales Office

9B Wheatstone Court. Waterwells, Business Park,  
Gloucester, GL2-2AQ, UK United Kingdom  
Tel: +44(0) 1452 729428 / 1452 729696  
Fax: +44 1452 690125  
E-mail: Sales.Europe@leoch.com  
Http:// www.leoch.eu

### EMEA Sales Office

1 Deligiorgi St., 121 31 Athens,  
Greece  
Tel: +30 210 5760318 (2 lines)  
E-mail: support\_EMEA@leoch.com  
Http:// www.leoch.eu

### India Sales Office

Shed no.A-53(b), 2nd Stage of Peenya Industrial Area,  
Bangalore North Taluk, Bangalore-560058, India  
Tel: +91-80-23440018/23440019  
Fax: +91-80-23440017  
E-mail: indiasales@leoch.com



[Http://www.leoch.com](http://www.leoch.com)

© 2020 LEOCH. All rights reserved.

Trademarks and logos are the property of LEOCH and its affiliates unless otherwise noted.  
Subject to revisions without prior notice.

Publication No.: LB-LP2-300-PD-EN-V3.0-202012