



# LP Series-General Purpose LP12-60(12V60Ah)

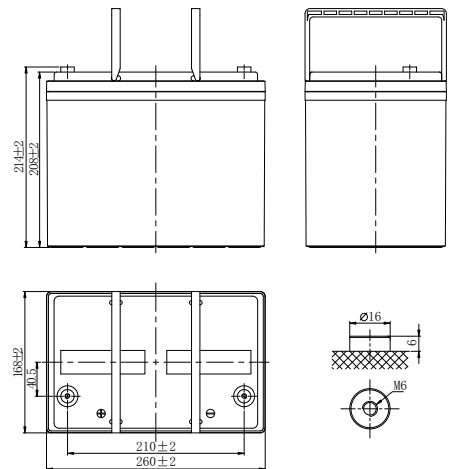


## Specifications

Rated Voltage	12V	
Nominal Capacity	60.0Ah	(C <sub>10</sub> , 1.80V/cell)
Dimension	Length	260±2mm (10.2 inches)
	Width	168±2mm (6.61 inches)
	Container Height	208±2mm (8.19 inches)
	Total Height	214±2mm (8.43 inches)
Approx Weight	18.4 Kg (40.5 lbs)	
Terminal	M6	
Container Material	ABS	
Rated Capacity (25°C)	62.4 Ah	(20hr, 3.12A, 1.80V/cell)
	60.0 Ah	(10hr, 6.00A, 1.80V/cell)
	54.0 Ah	(5hr, 10.8A, 1.75V/cell)
	49.2 Ah	(3hr, 16.4A, 1.75V/cell)
	37.9Ah	(1hr, 37.9A, 1.60V/cell)
Max. Discharge Current	600A (5s)	
Internal Resistance (25°C)	Approx 7.4mΩ	
Operating Temp. Range	Discharge	-15 ~ 50°C (5 ~ 122°F)
	Charge	-20 ~ 40°C (-4 ~ 104°F)
	Storage	-15 ~ 40°C (5 ~ 104°F)
Nominal Operating Temp. Range	25±3°C (77±5°F)	
Cycle Use	Initial Charging Current less than 18.0A. Voltage 14.4V~15.0V at 25°C(77°F)Temp. Coefficient -30mV/°C	
	Standby Use	
Effect of temp. to Capacity	Initial Charging Current less than 18.0A. Voltage 13.5V~13.8V at 25°C(77°F)Temp. Coefficient -20mV/°C	
	40°C (104°F)	103%
	25°C (77°F)	100%
Self Discharge	0°C (32°F)	86%
	LP series batteries may be stored for up to 6 months at 25°C(77°F) and then a freshening charge is required. For higher temperatures the time interval will be shorter.	



## Layout



## Constant Current Discharge (Amperes) at 25 °C (77°F)

F.V/Time	5min	10min	15min	20min	30min	45min	1h	1.5h	2h	3h	4h	5h	6h	8h	10h	20h
1.85V/cell	119.8	85.2	76.2	59.9	53.6	38.8	33.2	24.0	20.2	14.8	11.6	10.1	8.90	6.85	5.67	3.01
1.80V/cell	136.3	96.7	86.3	67.7	58.3	41.1	34.4	24.9	20.9	16.1	12.4	10.6	9.56	7.20	6.00	3.12
1.75V/cell	148.0	104.9	93.5	73.1	59.5	42.6	36.1	26.1	22.0	16.4	12.7	10.8	9.64	7.24	6.03	3.15
1.70V/cell	158.3	111.8	99.3	77.5	60.7	43.4	36.8	26.7	22.4	16.7	12.9	11.0	9.69	7.35	6.06	3.18
1.67V/cell	163.8	115.4	102.2	79.7	61.6	44.1	37.3	27.1	22.7	16.9	13.1	11.2	9.73	7.45	6.14	3.22
1.60V/cell	169.6	119.3	105.3	81.7	62.5	44.7	37.9	27.4	23.1	17.0	13.2	11.4	9.80	7.55	6.21	3.26

## Constant Power Discharge (Watts/cell) at 25 °C (77°F)

F.V/Time	5min	10min	15min	20min	30min	45min	1h	1.5h	2h	3h	4h	5h	6h	8h	10h	20h
1.85V/cell	223.8	160.3	149.4	118.0	106.0	74.6	66.5	48.3	40.7	30.0	23.6	20.6	17.6	14.1	11.7	6.20
1.80V/cell	250.4	179.3	167.1	132.0	114.5	78.5	68.5	49.7	41.8	32.4	25.1	21.6	18.8	14.8	12.2	6.42
1.75V/cell	267.2	191.4	178.3	140.9	115.9	80.8	71.5	52.0	43.9	33.0	25.5	21.9	18.9	14.8	12.3	6.48
1.70V/cell	280.9	201.2	187.5	148.1	117.3	81.9	72.6	52.8	44.6	33.5	25.9	22.2	19.0	15.0	12.4	6.54
1.67V/cell	285.5	204.5	190.5	150.5	118.1	82.6	73.2	53.3	45.0	33.6	26.2	22.5	19.0	15.2	12.6	6.61
1.60V/cell	289.5	207.3	193.2	152.6	118.6	83.0	73.8	53.7	45.4	33.8	26.4	22.8	19.1	15.3	12.7	6.68



# LP Series-General Purpose LP12-60(12V60Ah)



## Applications

- All purpose
- Uninterruptable Power Supply (UPS)
- Electric Power System (EPS)
- Emergency backup power supply
- Alarm and security system
- Communication power supply
- DC power supply
- Auto control system

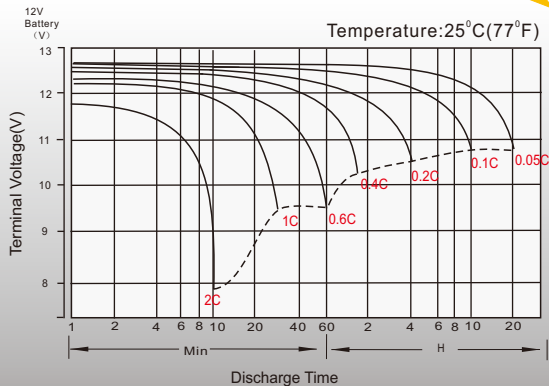
## General Features

- 8 years design life(25°C)
- Special exhaust structure and sealing technology, safe and reliable, flexible installation, convenient maintenance
- PbCaSn alloy for plate grids: less gassing, less self-discharging
- High quality AGM separator: extend cycle life and prevent micro short circuit
- High purity raw material: ensure low self discharge rate

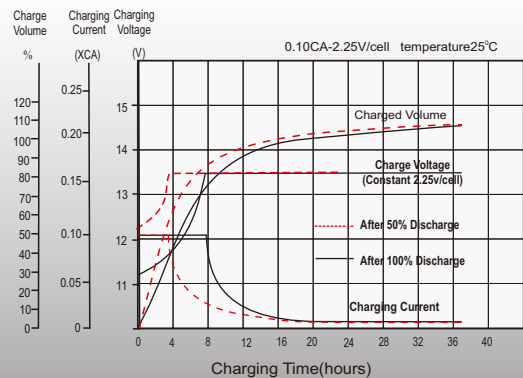
## Standards

- Compliance with IEC 60896 standards, EU Battery Directive
- UL, CE Certified
- Manufactured in Leoch®IATF 16949, ISO45001, ISO 9001 and ISO 14001 certified production facilities

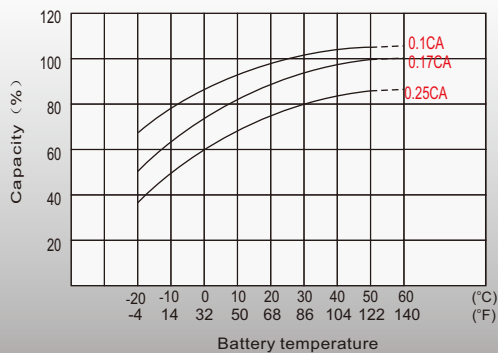
## Discharge Characteristics



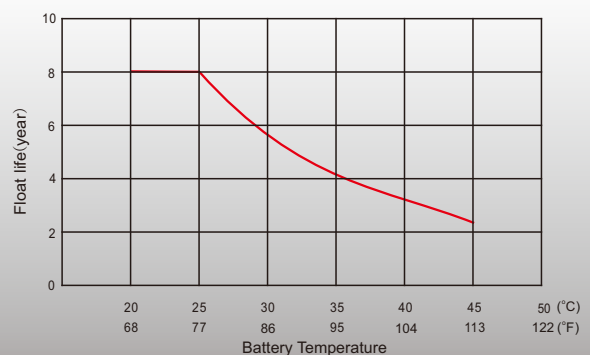
## Float Charging Characteristics



## Temperature Effects in Relation to Battery Capacity



## Float Service Life



## Sales Offices Worldwide

### China Sales Office

5th Floor, Xinbaohui Bldg., Nanhai Blvd.,  
Nanshan, Shenzhen, China. 518052  
Tel: +86-755-86036060 (100 lines)  
Tel: +86-755-26067269  
Fax: +86-755-26067269  
E-mail: export@leoch.com

### HongKong Sales Office

Workshop C, 33/F, TML Tower, No. 3 Hoi Shing Road,  
Tsuen Wan, New Territories, Hong Kong  
Tel: +852 35786666  
Tel: +44(0) 1452 729428 / 1452 729696  
Fax: +44 1452 690125  
E-mail: sales.hk@leoch.com

### Singapore Sales Office

No. 1 Tech Park Crescent,  
Singapore 638131  
Tel: +65 68636078  
Tel: +65 6863 6079  
Fax: +65 6863 6079  
Email: sales.sg@Leoch.com

### Australia Sales Office

2 /29 Tarlington Place, Smithfield, NSW 2164  
Australia  
Tel: 02 9756 0950  
E-mail: sales.au@leoch.com

### North America Sales Office

19751 Descartes  
Foothill Ranch, CA 92610, USA  
Tel: 949-588-5853  
Tel: 949-588-5853  
Fax: 949-588-5966  
E-mail: sales@leoch.us  
Http:// www.leoch.us

### UK Sales Office

9B Wheatstone Court, Waterwells, Business Park,  
Gloucester, GL2-2AQ, UK United Kingdom  
Tel: +44(0) 1452 729428 / 1452 729696  
Tel: +44 1452 690125  
Fax: +44 1452 690125  
E-mail: Sales.Europe@leoch.com  
Http:// www.leoch.eu

### EMEA Sales Office

1 Deligiorgi St., 121 31 Athens,  
Greece  
Tel: +30 210 5760318 (2 lines)  
Tel: +30 210 5760318 (2 lines)  
E-mail: support\_EMEA@leoch.com  
Http:// www.leoch.eu

### India Sales Office

Shed no.A-53(b), 2nd Stage of Peenya Industrial Area,  
Bangalore North Taluk, Bangalore-560058, India  
Tel: +91-80-23440018/23440019  
Tel: +91-80-23440018  
Fax: +91-80-23440017  
E-mail: indiasales@leoch.com



[Http://www.leoch.com](http://www.leoch.com)

© 2020 LEOCH. All rights reserved.

Trademarks and logos are the property of LEOCH and its affiliates unless otherwise noted.  
Subject to revisions without prior notice.

Publication No.: LB-LP12-60-PD-EN-V2.0-202004