

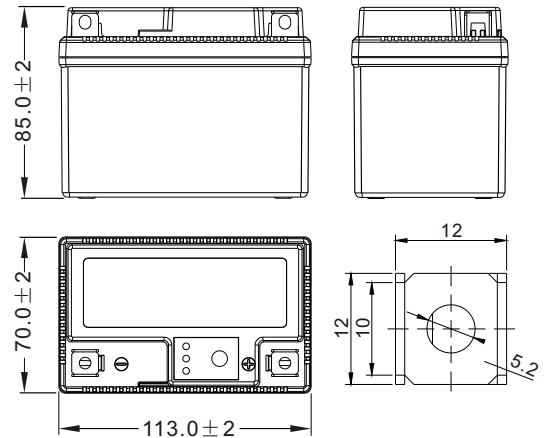
# Starter batteries for motorcycles

## LFPS-Z7S [12.8V2Ah]

### Physical Specification

Nominal Voltage		12.8V
Nominal Capacity (10Hr)		2Ah
Dimension	Length	113 ± 2mm (4.45 inches)
	Width	70 ± 2mm (2.76 inches)
	Container Height	85 ± 2mm (3.35 inches)
	Total Height (with Terminal)	85 ± 2mm (3.35 inches)
Weight	Approx 0.42kg (0.92lbs)	

- \* Motorcycle Li-ion battery
- \* Maintenance-free
- \* Powerful 140 cranking amps
- \* Shipped pre-charged and ready to install
- \* Replaces YTZ7S/YTX7L-BS battery



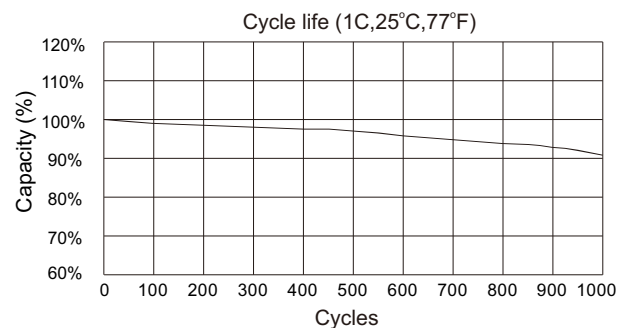
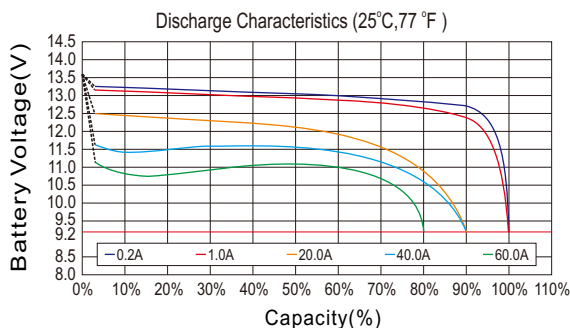
Dimensions (mm)

### Electrical Specification

Rated Capacity	0.1C rate (0.2A)	2Ah
	0.5C rate (1.0A)	2Ah
	10C rate (20.0A)	1.8Ah
	20C rate (40.0A)	1.8Ah
	30C rate (60.0A)	1.6Ah
Capacity affected by Temperature	40 °C (104 °F)	98%
	25 °C (77 °F)	100%
	0 °C (32 °F)	85%
	-20 °C (-4 °F)	60%
Self Discharge	Approximately 1.5% per month (25 °C (77 °F))	
Charging Methods	Constant-Voltage Charge:	
	Full Charge	Initial charging current: less than 1.0A Voltage: 14.40 V ~ 14.60 V at 25 °C (77 °F)



### Curve Specification



Publication No :LB-LFPS-Z7S-PD-EN-V1.3-201805

