

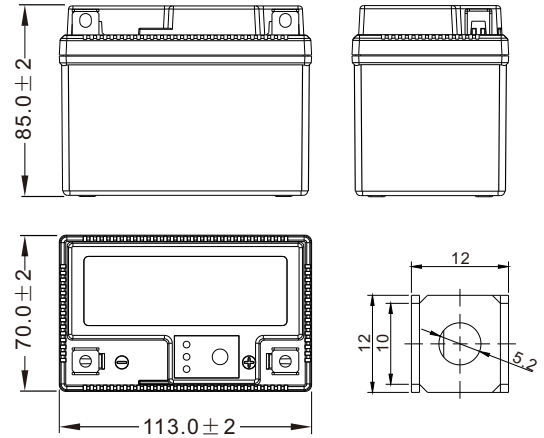
Starter batteries for motorcycles

LFPS-X7L [12.8V2.4Ah]

Physical Specification

Nominal Voltage		12.8V
Nominal Capacity (10Hr)		2.4Ah
Dimension	Length	113 ± 2mm (4.45 inches)
	Width	70 ± 2mm (2.76 inches)
	Container Height	85 ± 2mm (3.35 inches)
	Total Height (with Terminal)	85 ± 2mm (3.35 inches)
Weight	Approx 0.45kg (0.99lbs)	

- * Motorcycle Li-ion battery
- * Maintenance-free
- * Powerful 170 cranking amps
- * Shipped pre-charged and ready to install
- * Replaces YTZ7S/YTX7L-BS battery



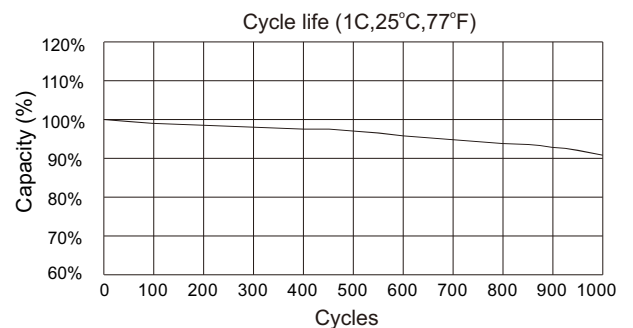
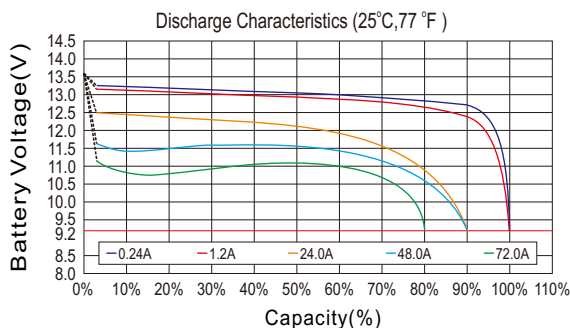
Dimensions (mm)

Electrical Specification

Rated Capacity	0.1C rate (0.24A)	2.40Ah
	0.5C rate (1.20A)	2.40Ah
	10C rate (24.00A)	2.16Ah
	20C rate (48.00A)	2.16Ah
	30C rate (72.00A)	1.92Ah
Capacity affected by Temperature	40 °C (104 °F)	98%
	25 °C (77 °F)	100%
	0 °C (32 °F)	85%
	-20 °C (-4 °F)	60%
Self Discharge	Approximately 1.5% per month (25 °C (77 °F))	
Charging Methods	Constant-Voltage Charge:	
	Full Charge	Initial charging current: less than 1.2A Voltage: 14.40 V ~ 14.60 V at 25 °C (77 °F)



Curve Specification



Publication No :LB-LFPS-X7L-PD-EN-V1.1-201806

