

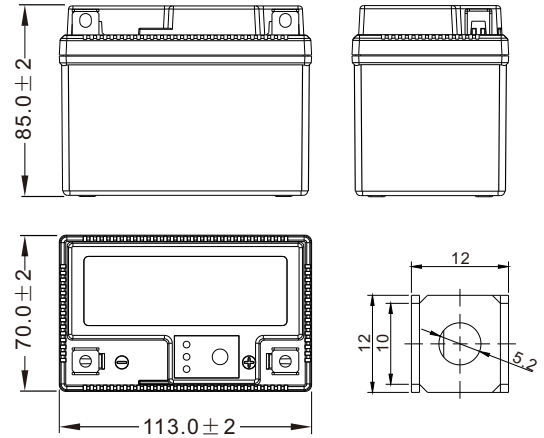
Starter batteries for motorcycles

LFPS-X4L [12.8V1.6Ah]

Physical Specification

| | | |
|-------------------------|------------------------------|-------------------------|
| Nominal Voltage | | 12.8V |
| Nominal Capacity (10Hr) | | 1.6Ah |
| Dimension | Length | 113 ± 2mm (4.45 inches) |
| | Width | 70 ± 2mm (2.76 inches) |
| | Container Height | 85 ± 2mm (3.35 inches) |
| | Total Height (with Terminal) | 85 ± 2mm (3.35 inches) |
| Weight | Approx 0.36kg (0.79lbs) | |

- * Motorcycle Li-ion battery
- * Maintenance-free
- * Powerful 110 cranking amps
- * Shipped pre-charged and ready to install
- * Replaces YTZ5S/YTX4L-BS/YTX5L-BS battery



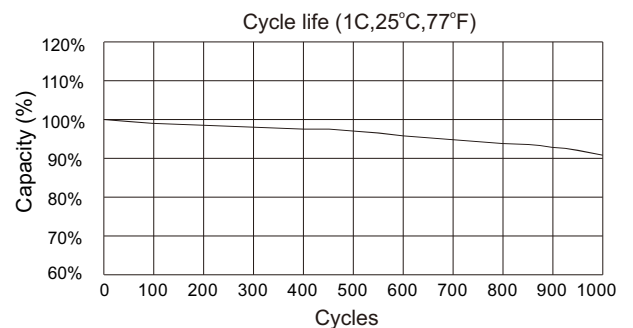
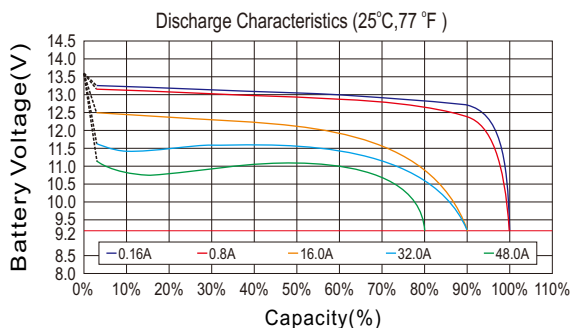
Dimensions (mm)

Electrical Specification

| | | |
|----------------------------------|----------------------------------------------|-----------------------------------------------------------------------------------------|
| Rated Capacity | 0.1C rate (0.16A) | 1.60Ah |
| | 0.5C rate (0.80A) | 1.60Ah |
| | 10C rate (16.00A) | 1.44Ah |
| | 20C rate (32.00A) | 1.44Ah |
| | 30C rate (48.00A) | 1.28Ah |
| Capacity affected by Temperature | 40 °C (104 °F) | 98% |
| | 25 °C (77 °F) | 100% |
| | 0 °C (32 °F) | 85% |
| | -20 °C (-4 °F) | 60% |
| Self Discharge | Approximately 1.5% per month (25 °C (77 °F)) | |
| Charging Methods | Constant-Voltage Charge: | |
| | Full Charge | Initial charging current: less than 0.8A Voltage: 14.40 V ~ 14.60 V at 25 °C (77 °F) |



Curve Specification



Publication No :LB-LFPS-X4L-PD-EN-V1.3-201805

