

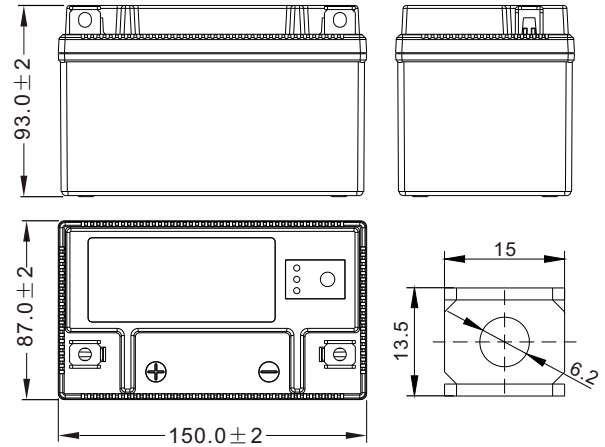
Starter batteries for motorcycles

LFPS-X12 [12.8V3.5Ah]

Physical Specification

Nominal Voltage		12.8V
Nominal Capacity (10Hr)		3.5Ah
Dimension	Length	150 ± 2mm (5.91 inches)
	Width	87 ± 2mm (3.43 inches)
	Container Height	93 ± 2mm (3.66 inches)
	Total Height (with Terminal)	93 ± 2mm (3.66 inches)
Weight	Approx 0.65kg (1.43lbs)	

- * Motorcycle Li-ion battery
- * Maintenance-free
- * Powerful 250 cranking amps
- * Shipped pre-charged and ready to install
- * Replaces YTX12-BS/YT12A-BS/YB12B-B2 battery



Dimensions (mm)

Electrical Specification

Rated Capacity	0.1C rate (0.35A)	3.50Ah
	0.5C rate (1.75A)	3.50Ah
	10C rate (35.00A)	3.15Ah
	20C rate (70.00A)	3.15Ah
	30C rate (105.00A)	2.80Ah
Capacity affected by Temperature	40 °C (104 °F)	98%
	25 °C (77 °F)	100%
	0 °C (32 °F)	85%
	-20 °C (-4 °F)	60%
Self Discharge	Approximately 1.5% per month (25°C (77°F))	
Charging Methods	Constant-Voltage Charge:	
	Full Charge	Initial charging current: less than 1.8A Voltage: 14.40 V ~ 14.60 V at 25 °C (77 °F)



Curve Specification

