

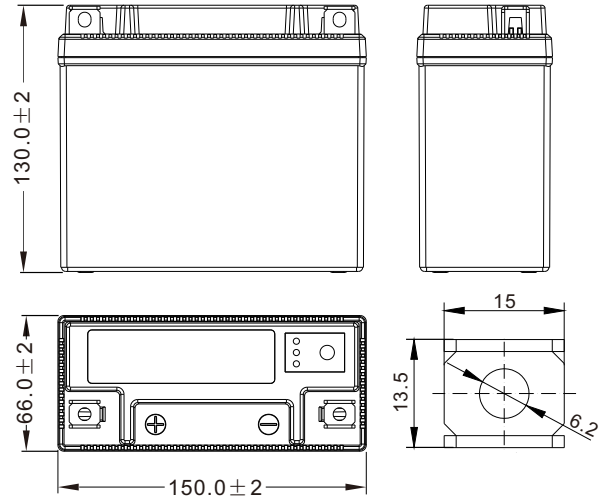
Starter batteries for motorcycles

LFPS-12B [12.8V5.0Ah]

Physical Specification

Nominal Voltage		12.8V
Nominal Capacity (10Hr)		5.0Ah
Dimension	Length	150 ± 2mm (5.91 inches)
	Width	66 ± 2mm (2.60 inches)
	Container Height	130 ± 2mm (5.12 inches)
	Total Height (with Terminal)	130 ± 2mm (5.12 inches)
Weight	Approx 0.82kg (1.81lbs)	

- * Motorcycle Li-ion battery
- * Maintenance-free
- * Powerful 350 cranking amps
- * Shipped pre-charged and ready to install
- * Replaces YT12B-BS/YT14B-BS/YB16AL-A2 battery



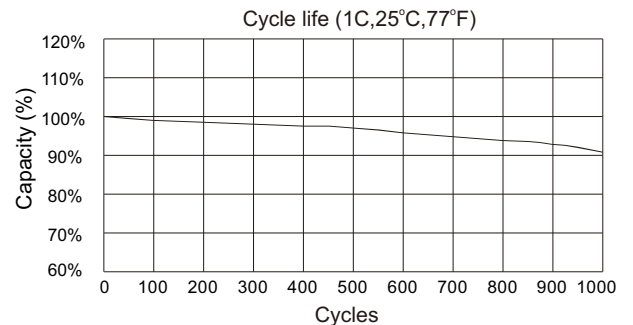
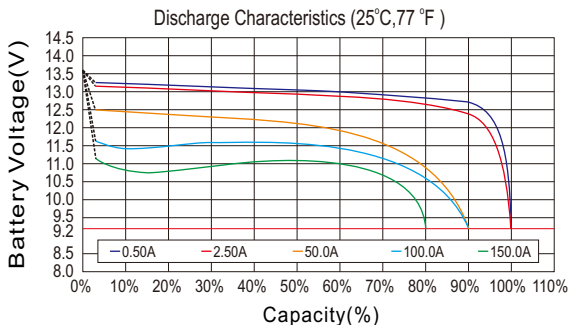
Dimensions (mm)

Electrical Specification

Rated Capacity	0.1C rate (0.50A)	5Ah
	0.5C rate (2.50A)	5Ah
	10C rate (50.00A)	4.5Ah
	20C rate (100.00A)	4.5Ah
	30C rate (150.00A)	4.0Ah
Capacity affected by Temperature	40 °C (104 °F)	98%
	25 °C (77 °F)	100%
	0 °C (32 °F)	85%
	-20 °C (-4 °F)	60%
Self Discharge	Approximately 1.5% per month (25°C (77°F))	
Charging Methods	Constant-Voltage Charge:	
	Full Charge	Initial charging current: less than 2.5A Voltage: 14.40 V ~ 14.60 V at 25 °C (77 °F)



Curve Specification



Publication No.: LB-LFPS-12B-PD-EN-V1.4-201806

