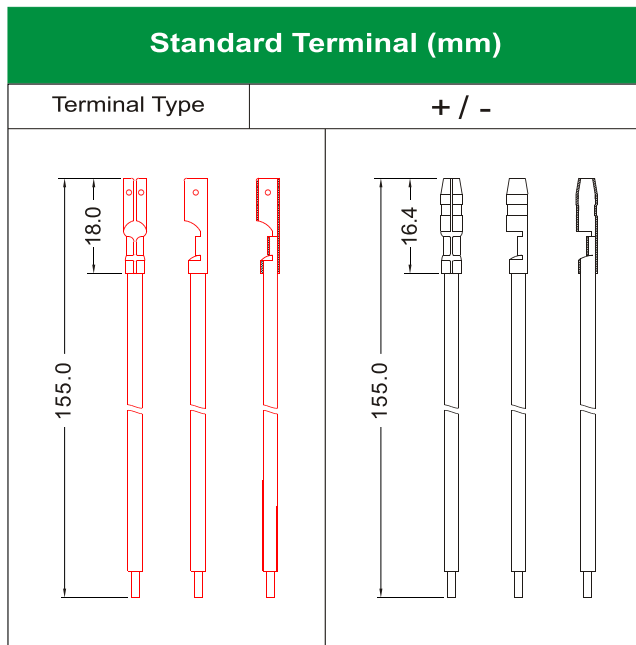
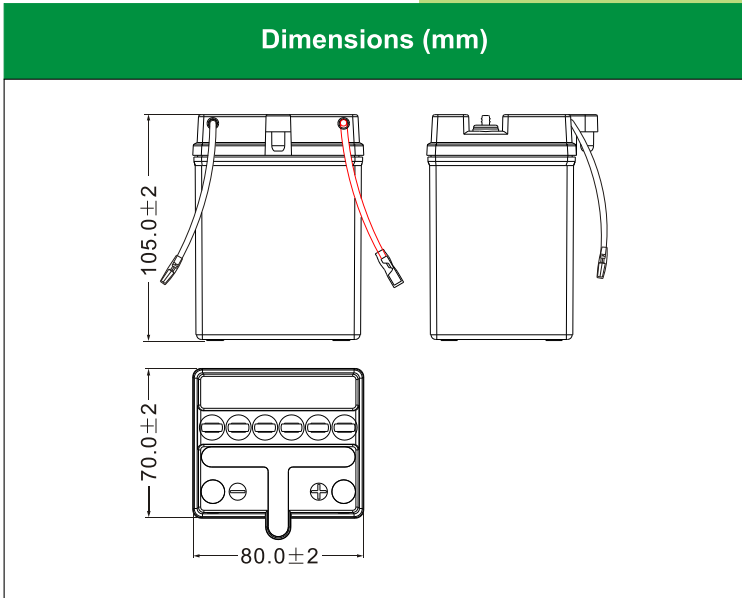




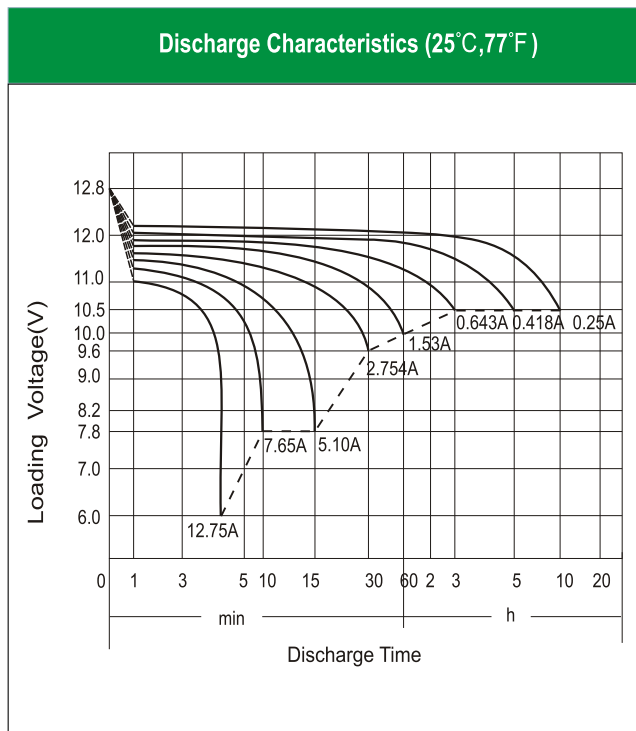
LB2.5L-C [12V2.5Ah]



Physical Specification

Nominal Voltage	12V	
Nominal Capacity (10HR)	2.5Ah	
Dimension	Length	80 ± 2mm (3.15 inches)
	Width	70 ± 2mm (2.76 inches)
	Container Height	105 ± 2mm (4.13 inches)
	Total Height (with Terminal)	105 ± 2mm (4.13 inches)
Weight	Battery(with acid): Approx 1.10kg (2.43lbs)	
	Electrolyte: Approx 0.33kg (0.73lbs)	

- * High performance and dry charged high quality and flooded battery
- * Low maintenance
- * Powerful 19 cold cranking amps
- * Shipped without battery electrolyte pre-charged and ready to install
- * Replaces none battery



Electrical Specification

Rated Capacity	10 hour rate (0.25A)	2.50Ah
	5 hour rate (0.418 A)	2.09Ah
	2 hour rate (0.898 A)	1.80Ah
	1 hour rate (1.530 A)	1.53Ah
	0.5 hour rate (2.754 A)	1.38Ah
Capacity affected by Temperature	40 °C (104 °F)	106%
	25 °C (77 °F)	100%
	0 °C (32 °F)	86%
	-15 °C (5 °F)	65%
Charging Methods	Full Charge	Constant-Voltage Charge: Initial charging current: less than 0.765A Voltage: 14.40 V ~ 15.00 V at 25 °C (77 °F) Charging time: 16 ~24h Constant-Current Charge: Charging current: 0.25A, when charging voltage up to 15.60V, continue to charge 2h.
	Floating Charge	No limit on Initial charging current Voltage: 13.50 V ~ 13.80 V at 25 °C (77 °F)