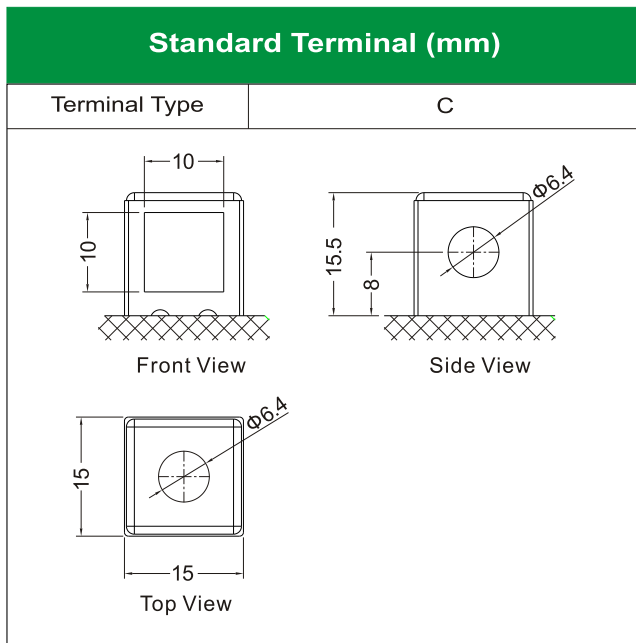
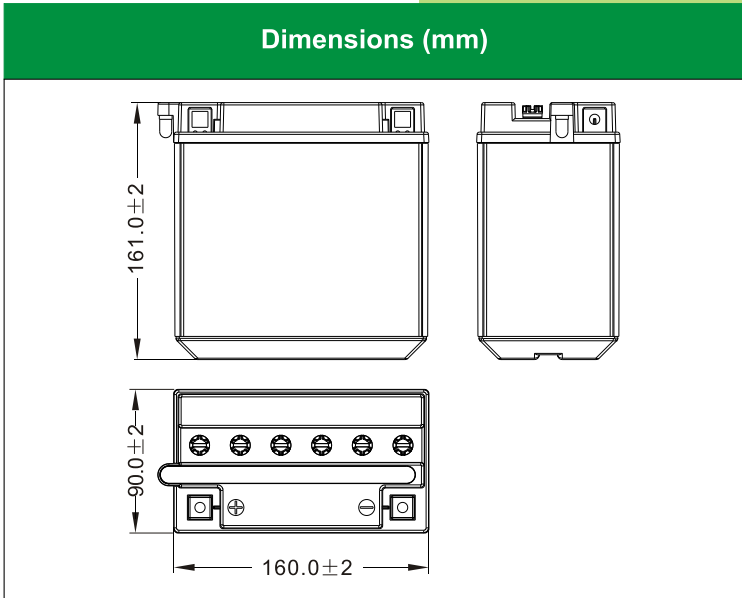




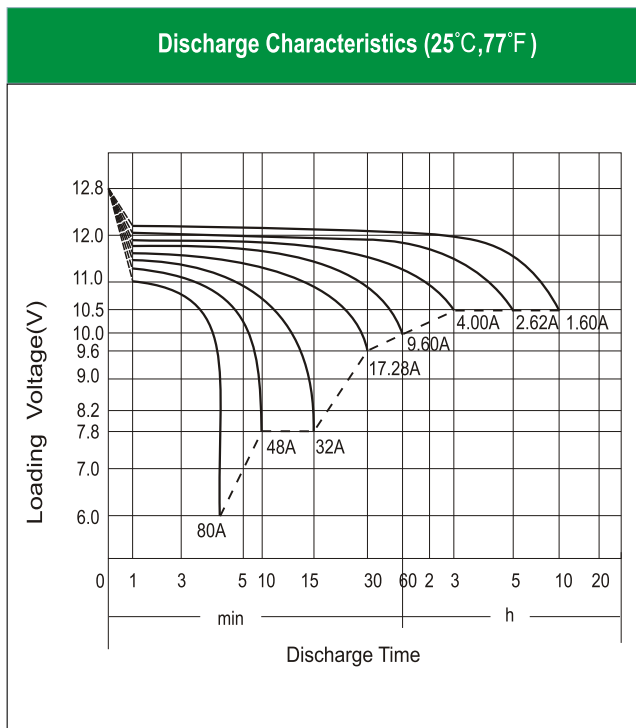
# LB16B-A1 [12V16Ah]



### Physical Specification

Nominal Voltage	12V	
Nominal Capacity (10HR)	16Ah	
Dimension	Length	160 ± 2mm (6.30 inches)
	Width	90 ± 2mm (3.54 inches)
	Container Height	161 ± 2mm (6.34 inches)
	Total Height (with Terminal)	161 ± 2mm (6.34 inches)
Weight	Battery(with acid): Approx 5.24kg (11.55lbs)	
	Electrolyte: Approx 1.41kg (3.11lbs)	

- \* High performance and dry charged high quality and flooded battery
- \* Low maintenance
- \* Powerful 175 cold cranking amps
- \* Shipped without battery electrolyte pre-charged and ready to install
- \* Replaces none battery



### Electrical Specification

Rated Capacity	10 hour rate (1.60A)	16.00Ah
	5 hour rate (2.62 A)	13.12Ah
	2 hour rate (5.60A)	11.20Ah
	1 hour rate (9.60 A)	9.60Ah
	0.5 hour rate (17.28A)	8.64Ah
Capacity affected by Temperature	40 °C (104 °F)	106%
	25 °C (77 °F)	100%
	0 °C (32 °F)	86%
	-15 °C (5 °F)	65%
Charging Methods	Full Charge	Constant-Voltage Charge: Initial charging current: less than 4.8A Voltage: 14.40 V ~ 15.00 V at 25 °C (77 °F) Charging time: 16 ~24h Constant-Current Charge: Charging current: 1.6A, when charging voltage up to 15.60V, continue to charge 2h.
	Floating Charge	No limit on Initial charging current Voltage: 13.50 V ~ 13.80 V at 25 °C (77 °F)