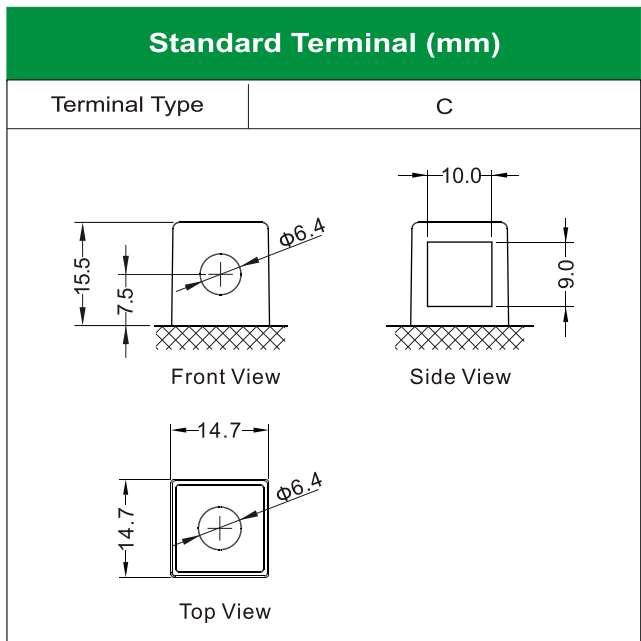
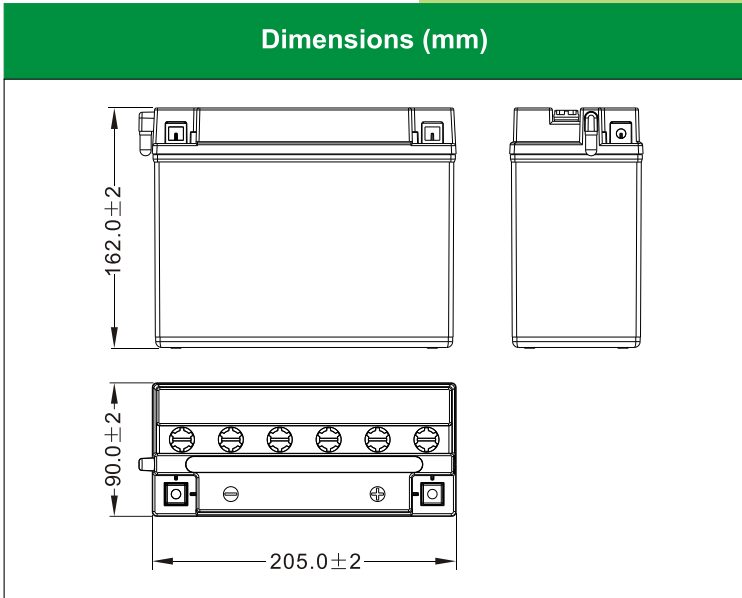
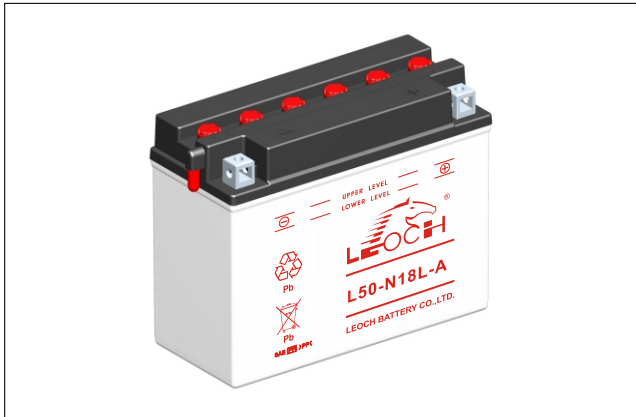




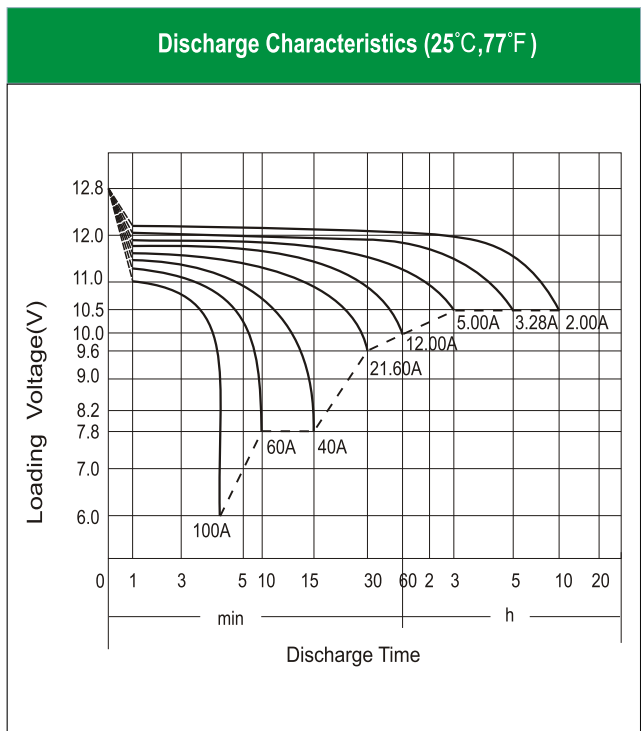
# L50-N18L-A [12V20Ah]



### Physical Specification

Nominal Voltage		12V
Nominal Capacity (10HR)		20Ah
Dimension	Length	205 ± 2mm (8.07 inches)
	Width	90 ± 2mm (3.54 inches)
	Container Height	162 ± 2mm (6.38 inches)
	Total Height (with Terminal)	162 ± 2mm (6.38 inches)
Weight	Battery(with acid): Approx 6.59kg (14.53lbs) Electrolyte: Approx 1.71kg (3.77lbs)	

- \* High performance and dry charged high quality and flooded battery
- \* Low maintenance
- \* Powerful 235 cold cranking amps
- \* Shipped without battery electrolyte pre-charged and ready to install
- \* Replaces L50-N18L-A2 conventional battery



### Electrical Specification

Rated Capacity	10 hour rate (2.00A)	20.0Ah
	5 hour rate (3.28 A)	16.4Ah
	2 hour rate (7.00 A)	14.0Ah
	1 hour rate (12.0 A)	12.0Ah
	0.5 hour rate (21.6 A)	10.8Ah
Capacity affected by Temperature	40 °C (104 °F)	106%
	25 °C (77 °F)	100%
	0 °C (32 °F)	86%
	-15 °C (5 °F)	65%
Charging Methods	Full Charge	Constant-Voltage Charge: Initial charging current: less than 6.0A Voltage: 14.40 V ~ 15.00 V at 25 °C (77 °F) Charging time: 16 ~24h Constant-Current Charge: Charging current: 2A, when charging voltage up to 15.60V, continue to charge 2h.
	Floating Charge	No limit on Initial charging current Voltage: 13.50 V ~ 13.80 V at 25 °C (77 °F)