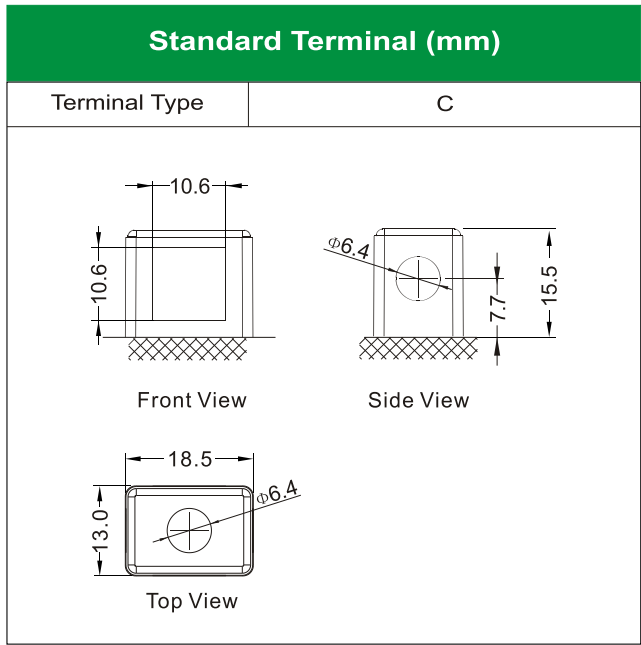
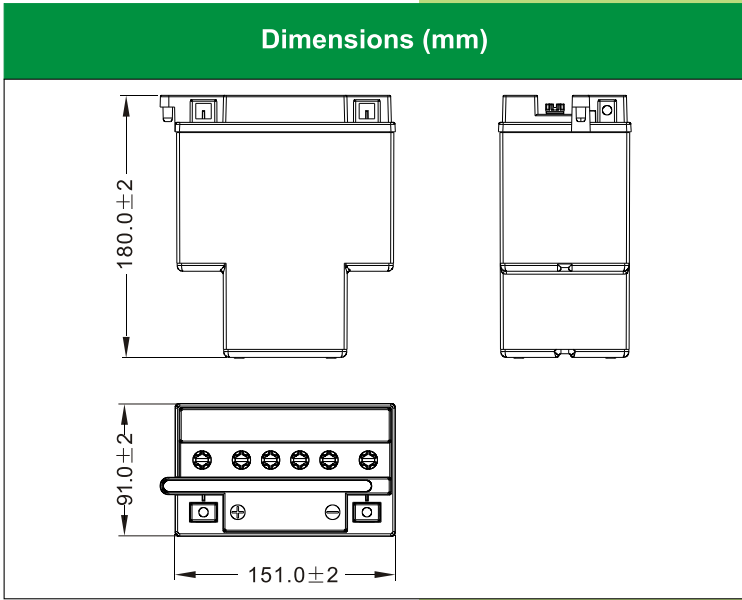


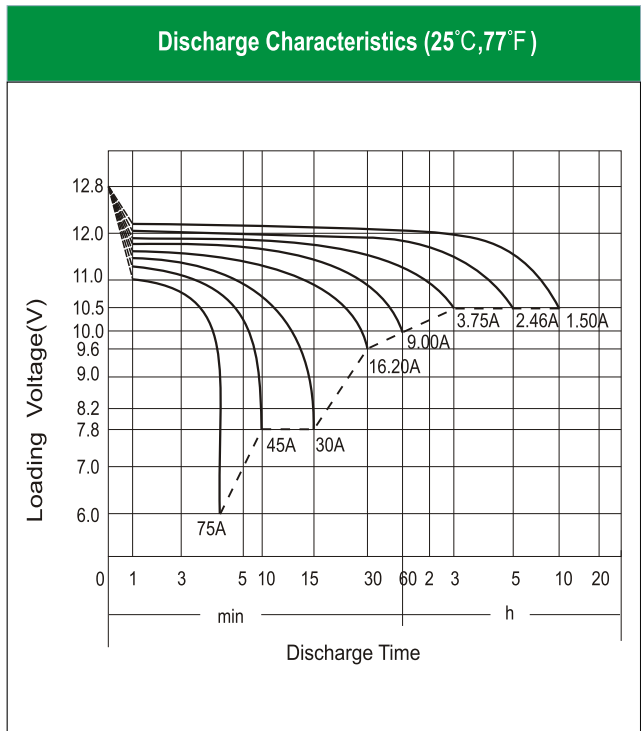


LEOCH BATTERY HLB16A-AB (12V15Ah)



Physical Specification

Nominal Voltage	12V	
Nominal Capacity (10HR)	15Ah	
Dimension	Length	151 ± 2mm (5.94 inches)
	Width	91 ± 2mm (3.58 inches)
	Container Height	180 ± 2mm (7.09 inches)
	Total Height (with Terminal)	180 ± 2mm (7.09 inches)
Weight	Battery(with acid): Approx 5.09kg (11.22lbs)	
	Electrolyte: Approx 1.24kg (2.73lbs)	
<ul style="list-style-type: none"> * High performance and dry charged high quality and flooded battery * Low maintenance * Powerful 150 cold cranking amps * Shipped without battery electrolyte pre-charged and ready to install * Replaces HLB16A-A battery 		



Electrical Specification

Rated Capacity	10 hour rate (1.50A)	15.00Ah
	5 hour rate (2.46 A)	12.30Ah
	2 hour rate (5.25A)	10.50Ah
	1 hour rate (9.00 A)	9.00Ah
	0.5 hour rate (16.20A)	8.10Ah
Capacity affected by Temperature	40 °C (104 °F)	106%
	25 °C (77 °F)	100%
	0 °C (32 °F)	86%
	-15 °C (5 °F)	65%
Charging Methods	Full Charge	Constant-Voltage Charge: Initial charging current: less than 4.5A Voltage: 14.40 V ~ 15.00 V at 25 °C (77 °F) Charging time: 16 ~24h Constant-Current Charge: Charging current: 1.5A, when charging voltage up to 15.60V, continue to charge 2h.
	Floating Charge	No limit on Initial charging current Voltage: 13.50 V ~ 13.80 V at 25 °C (77 °F)