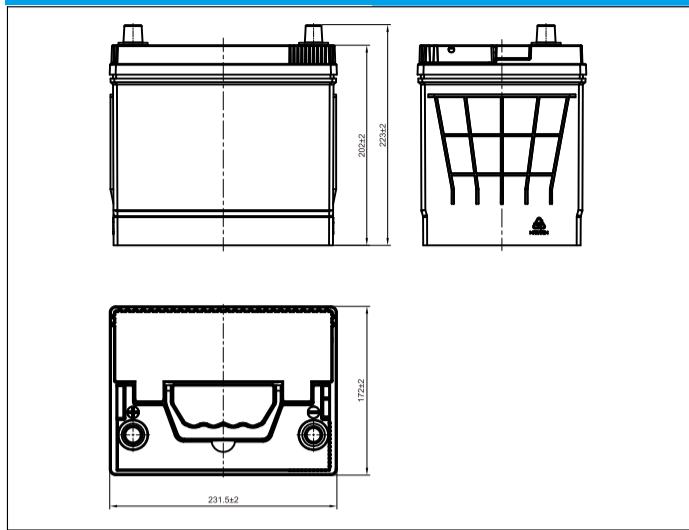




EFB-D23 (12V60Ah)



Dimensions (mm)



Physical Specification

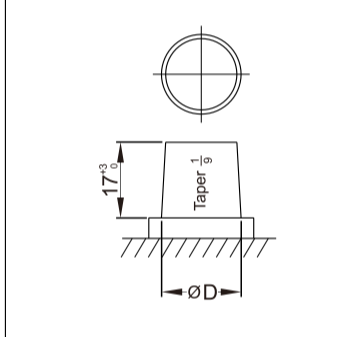
Nominal Voltage		12V
Nominal Capacity(20HR)		60Ah
Dimension	Length	231.5±2mm(9.11inches)
	Width	172±2mm(6.77inches)
	Container Height	202±2mm(7.95inches)
	Total Height(with Terminal)	223±2mm(8.78inches)
Wet Weight		Approx 17.5Kg(38.59lbs)
Standard Terminal		1
Cell layout		1
Hold-Down		B0
Cell plate qty		/
Case		Black-PP Material
Cover		Black-PP Material
Handle		/

Electrical Specification

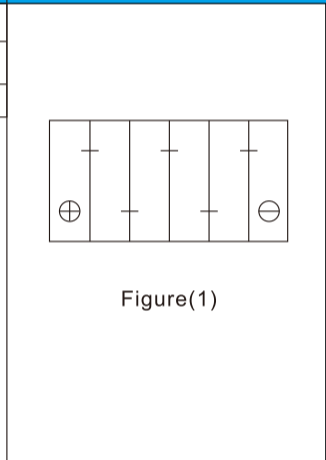
Rated Capacity	20 hour rate(3.0A)	60Ah
Reserve Capacity	100min	
Cold Cranking Performance Amps@0°F(-18°C)	610A	

Standard Terminal (mm)

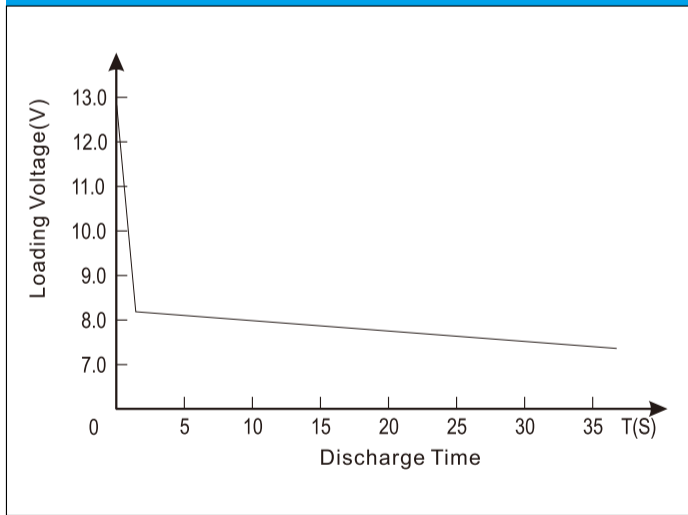
Terminal Type	D	
	Positive	Negative
1	19.5 ⁰ _{-0.3}	17.9 ⁰ _{-0.3}



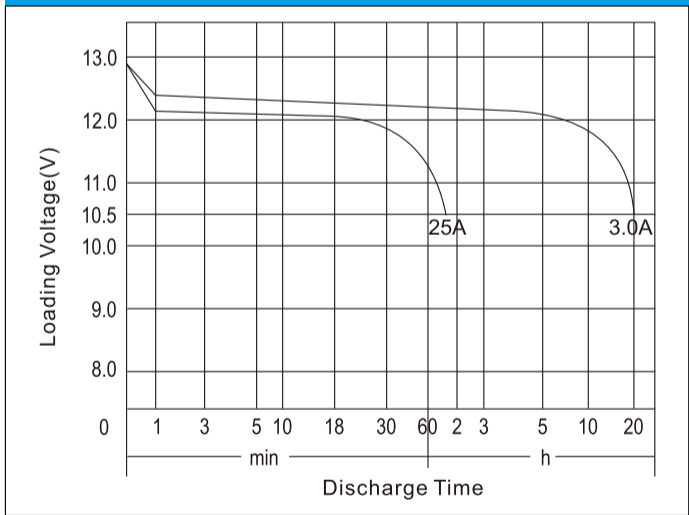
Cell Layout



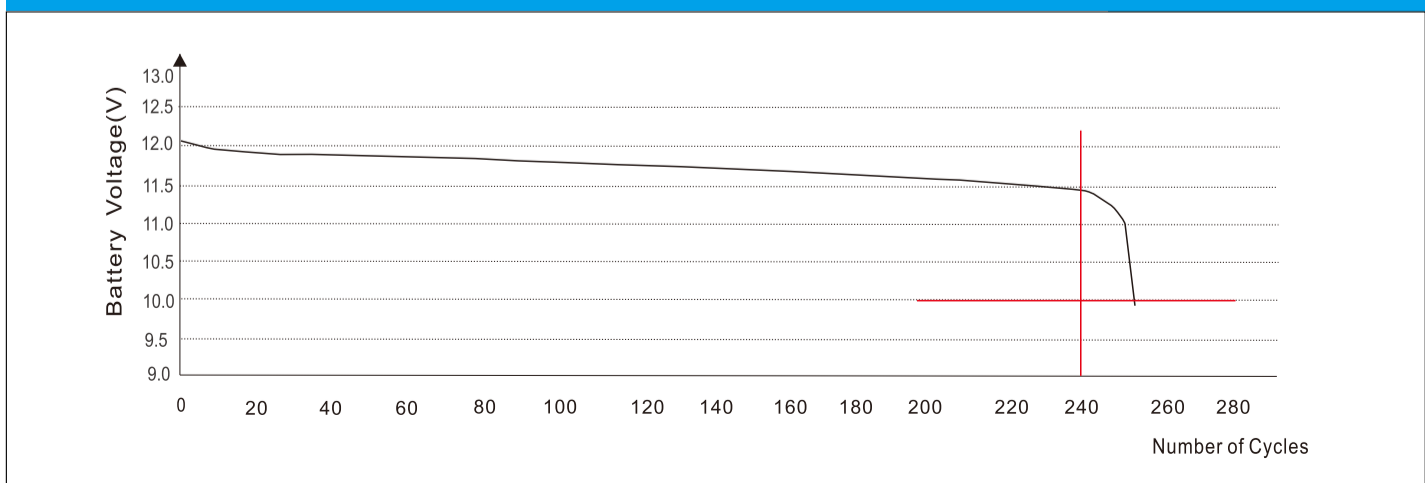
Discharge Characteristics(-18°C,0°F)



Discharge Characteristics(25°C,70°F)



50% DOD Cycle Life Characteristics



*Values are subject to variation of +/- 5% in normal manufacturing processes.
 *Technical specifications and the product line above could be changed without prior notice.