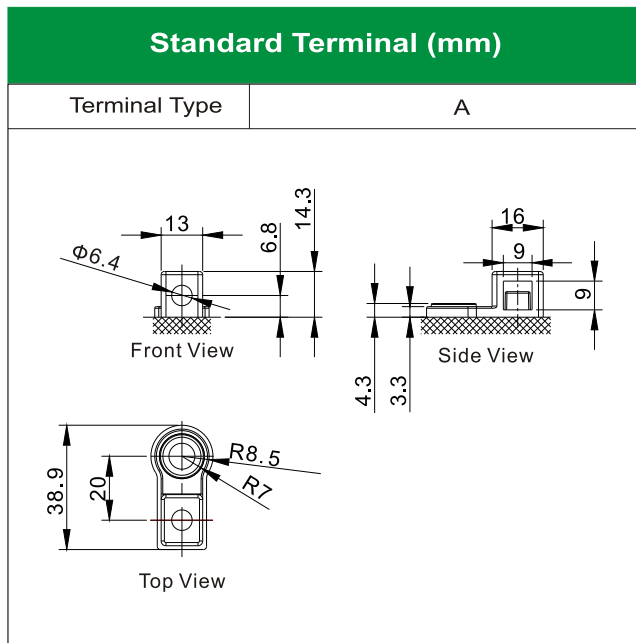
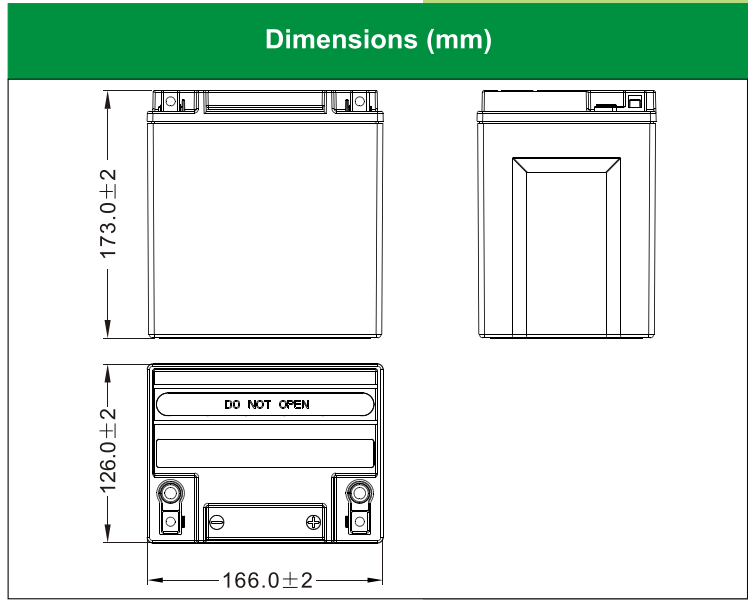




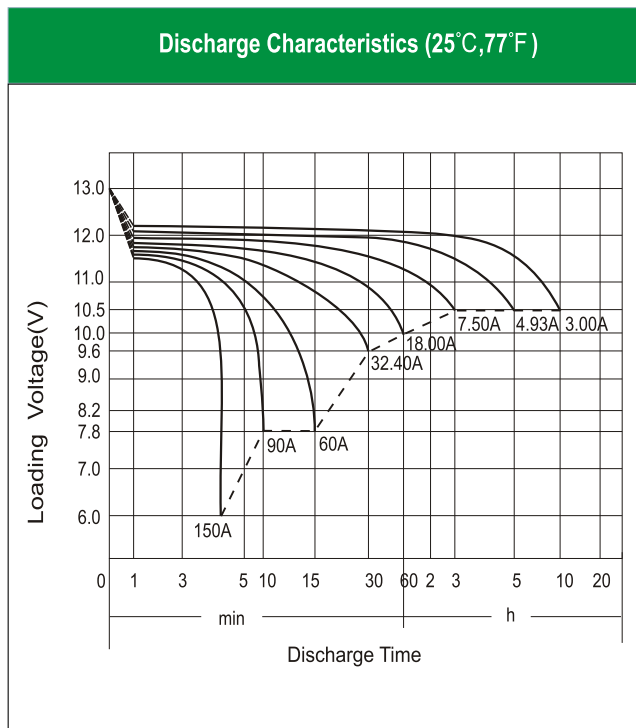
# EBX30L-BS (12V30Ah)



### Physical Specification

Nominal Voltage	12V	
Nominal Capacity (10HR)	30Ah	
Dimension	Length	166 ± 2mm (6.54 inches)
	Width	126 ± 2mm (4.96 inches)
	Container Height	173 ± 2mm (6.81 inches)
	Total Height (with Terminal)	173 ± 2mm (6.81 inches)
Weight	Battery(with acid): Approx 9.48kg (20.90lbs)	
	Electrolyte: Approx 1.83kg (4.04lbs)	

- \* Sealed AGM battery
- \* Fresh Pack, Maintenance Free
- \* Powerful 385 cold cranking amps
- \* Rest after filling acid
- \* Maximum tilt angle for installation: 25°



### Electrical Specification

Rated Capacity	10 hour rate (3.00 A)	30.00Ah
	5 hour rate (4.93 A)	24.60Ah
	2 hour rate (10.5 A)	21.00Ah
	1 hour rate (18.0 A)	18.00Ah
	0.5 hour rate (32.4 A)	16.20Ah
Capacity affected by Temperature	40 °C (104 °F)	106%
	25 °C (77 °F)	100%
	0 °C (32 °F)	86%
	-15 °C (5 °F)	65%
Charging Methods	Full Charge	Constant-Voltage Charge: Initial charging current: less than 9.0A Voltage: 14.40 V ~ 15.00 V at 25 °C (77 °F) Charging time: 15 ~18h Constant-Current Charge: Charging current: 0.1C <sub>10</sub> =3.00A, when charging voltage up to 14.40V, continue to charge 4h
	Floating Charge	No limit on Initial charging current Voltage: 13.50 V ~ 13.80 V at 25 °C (77 °F)