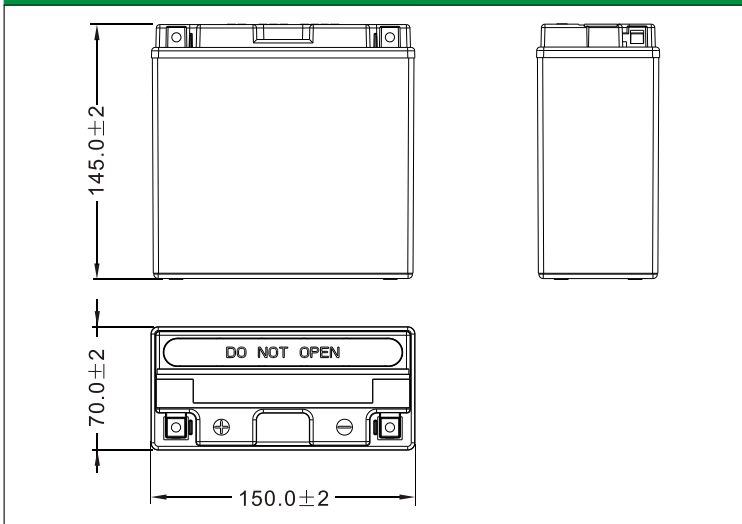




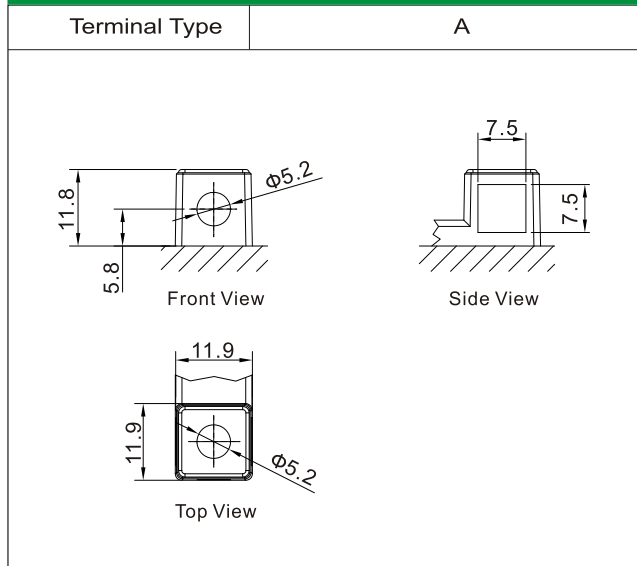
# EB14B-BS (12V12Ah)



## Dimensions (mm)



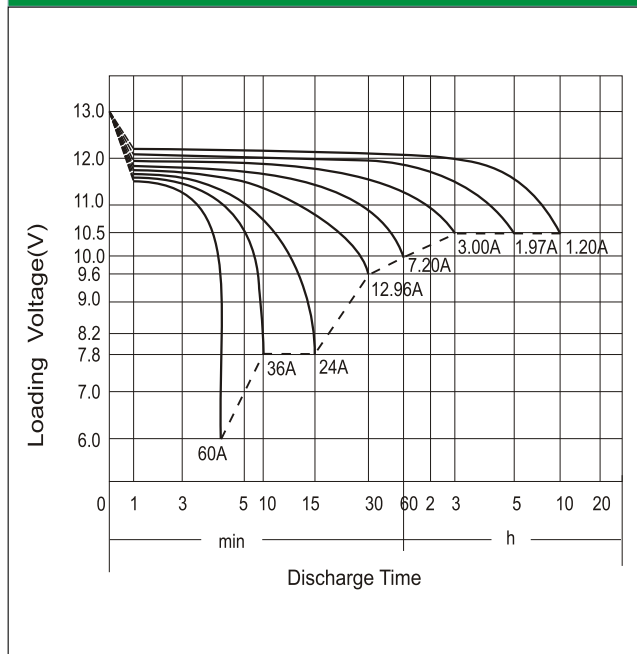
## Standard Terminal (mm)



## Physical Specification

Nominal Voltage	12V	
Nominal Capacity (10HR)	12Ah	
Dimension	Length	150 ± 2mm (5.91 inches)
	Width	70 ± 2mm (2.76 inches)
	Container Height	145 ± 2mm (5.71 inches)
	Total Height (with Terminal)	145 ± 2mm (5.71 inches)
Weight	Battery(with acid): Approx 4.13kg (9.11lbs)	
	Electrolyte: Approx 0.75kg (1.65lbs)	
<ul style="list-style-type: none"> <li>* Sealed AGM battery</li> <li>* Fresh Pack, Maintenance Free</li> <li>* Powerful 190 cold cranking amps</li> <li>* Rest after filling acid</li> <li>* Maximum tilt angle for installation: 25°</li> </ul>		

## Discharge Characteristics (25°C, 77°F)



## Electrical Specification

Rated Capacity	10 hour rate (1.20 A)	12.0Ah
	5 hour rate ( 1.97 A)	9.84Ah
	2 hour rate (4.20 A)	8.40Ah
	1 hour rate (7.20 A)	7.20Ah
	0.5 hour rate (12.96 A)	6.48Ah
Capacity affected by Temperature	40 °C ( 104 °F)	106%
	25 °C ( 77 °F)	100%
	0 °C ( 32 °F)	86%
	-15 °C ( 5 °F)	65%
Charging Methods	Full Charge	Constant-Voltage Charge: Initial charging current: less than 3.6A Voltage: 14.40 V ~ 15.00 V at 25 °C ( 77 °F) Charging time: 15 ~18h Constant-Current Charge: Charging current: 0.1C <sub>10</sub> =1.20A, when charging voltage up to 14.40V, continue to charge 4h
	Floating Charge	No limit on Initial charging current Voltage: 13.50 V ~ 13.80 V at 25 °C ( 77 °F)