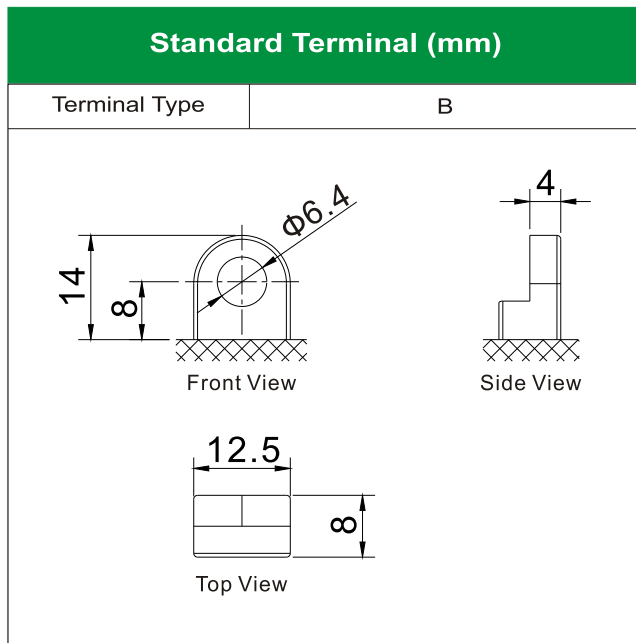
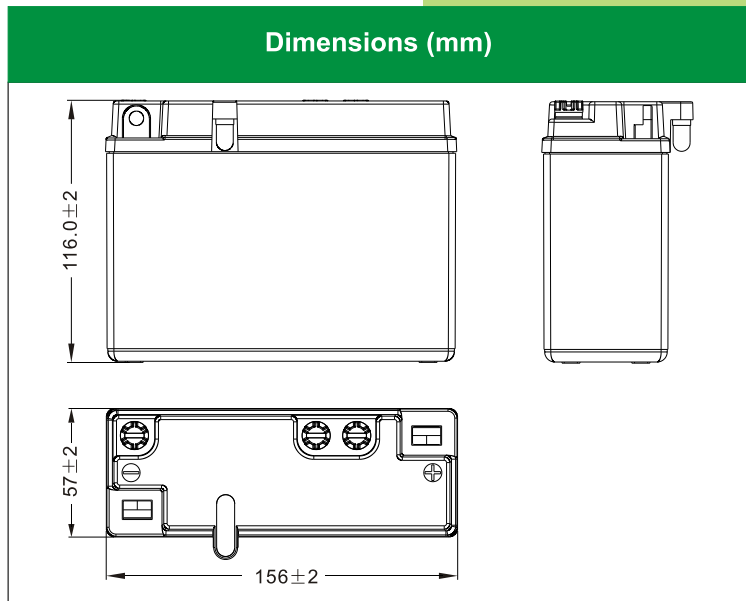


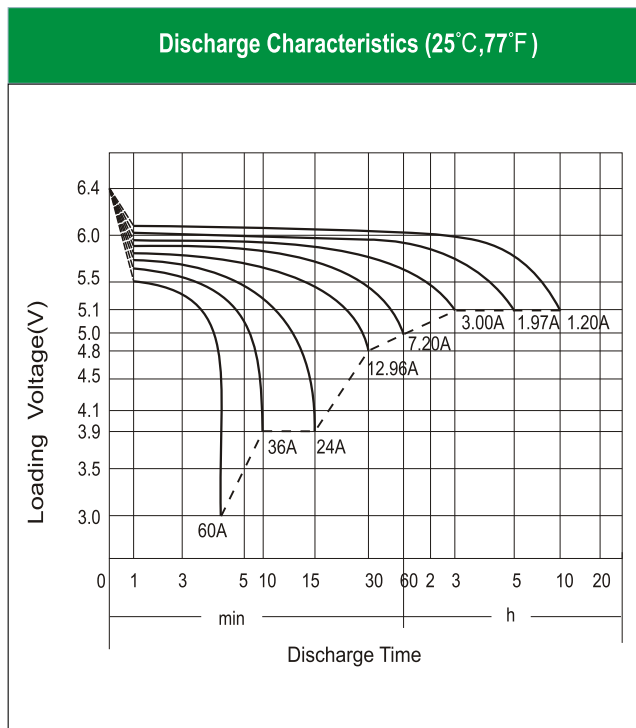


B54-6A [6V12Ah]



Physical Specification

| | | |
|---|---|-------------------------|
| Nominal Voltage | | 6V |
| Nominal Capacity (10HR) | | 12Ah |
| Dimension | Length | 156 ± 2mm (6.14 inches) |
| | Width | 57 ± 2mm (2.24 inches) |
| | Container Height | 116 ± 2mm (4.57 inches) |
| | Total Height (with Terminal) | 116 ± 2mm (4.57 inches) |
| Weight | Battery(with acid): Approx 2.14kg (4.72lbs) Electrolyte: Approx 0.58kg (1.28lbs) | |
| <ul style="list-style-type: none"> * High performance and dry charged high quality and flooded battery * Low maintenance * Shipped without battery electrolyte pre-charged and ready to install * Replaces none battery | | |



Electrical Specification

| | | |
|----------------------------------|-------------------------|--|
| Rated Capacity | 10 hour rate (1.20A) | 12.00Ah |
| | 5 hour rate (1.97A) | 9.84Ah |
| | 2 hour rate (4.20 A) | 8.40Ah |
| | 1 hour rate (7.20 A) | 7.20Ah |
| | 0.5 hour rate (12.96 A) | 6.48Ah |
| Capacity affected by Temperature | 40 °C (104 °F) | 106% |
| | 25 °C (77 °F) | 100% |
| | 0 °C (32 °F) | 86% |
| | -15 °C (5 °F) | 65% |
| Charging Methods | Full Charge | Constant-Voltage Charge: Initial charging current: less than 3.6A Voltage: 7.20 V ~ 7.50 V at 25 °C (77 °F) Charging time: 16 ~24h Constant-Current Charge: Charging current: 1.2A, when charging voltage up to 7.80V, continue to charge 2h. |
| | Floating Charge | No limit on Initial charging current Voltage: 6.75V ~ 6.90V at 25 °C (77 °F) |