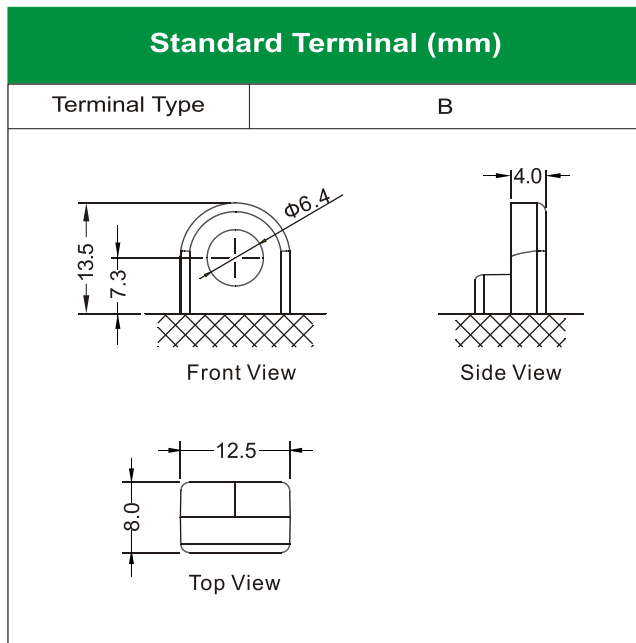
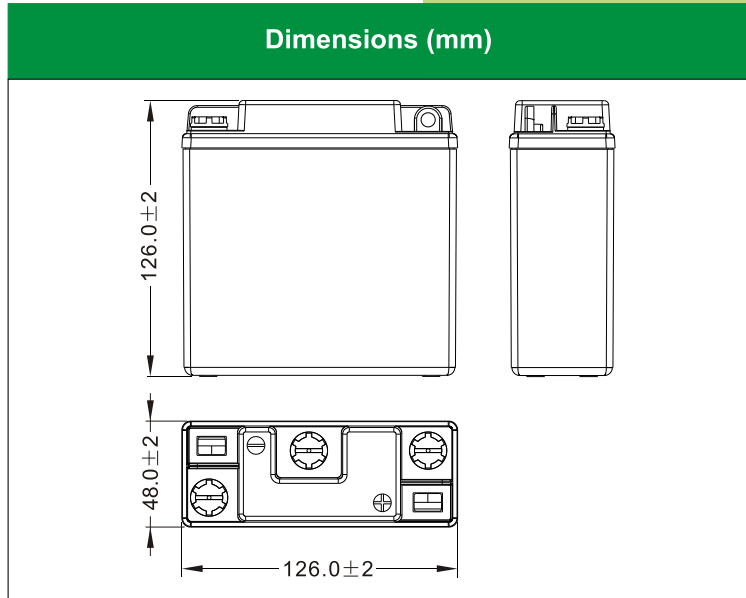


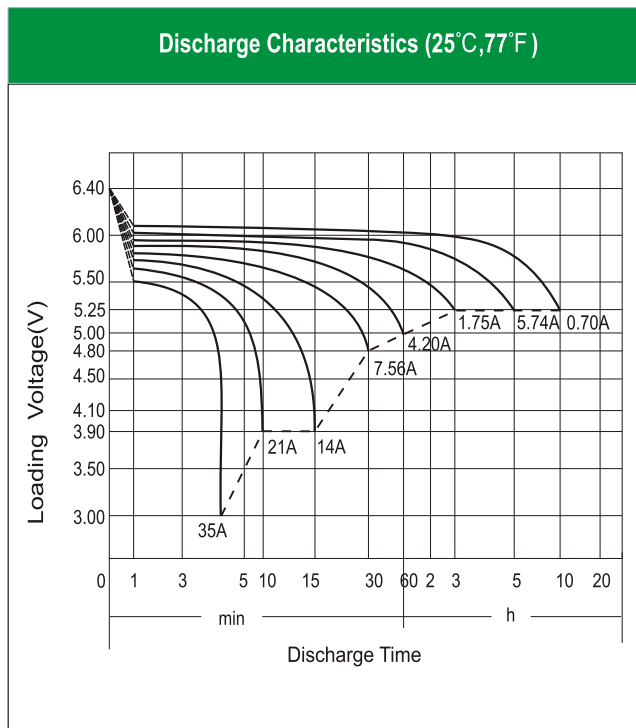


B39-6 [6V7Ah]



Physical Specification

Nominal Voltage		6V
Nominal Capacity (10HR)		7Ah
Dimension	Length	126 ± 2mm (4.96 inches)
	Width	48 ± 2mm (1.89 inches)
	Container Height	126 ± 2mm (4.96 inches)
	Total Height (with Terminal)	126 ± 2mm (4.96 inches)
Weight	Battery(with acid): Approx 1.37kg (3.02lbs) Electrolyte: Approx 0.44kg (0.97lbs)	
<ul style="list-style-type: none"> * High performance and dry charged high quality and flooded battery * Low maintenance * Shipped without battery electrolyte pre-charged and ready to install * Replaces none battery 		



Electrical Specification

Rated Capacity	10 hour rate (0.70A)	7.00Ah
	5 hour rate (1.15 A)	5.74Ah
	2 hour rate (2.45A)	4.90Ah
	1 hour rate (4.20 A)	4.20Ah
	0.5 hour rate (7.56 A)	3.78Ah
Capacity affected by Temperature	40 °C (104 °F)	106%
	25 °C (77 °F)	100%
	0 °C (32 °F)	86%
	-15 °C (5 °F)	65%
Charging Methods	Full Charge	Constant-Voltage Charge: Initial charging current: less than 2.1A Voltage: 7.20V ~ 7.50 V at 25 °C (77 °F) Charging time: 16 ~24h Constant-Current Charge: Charging current: 0.7A, when charging voltage up to 7.80V, continue to charge 2h.
	Floating Charge	No limit on Initial charging current Voltage: 6.75 V ~ 6.90 V at 25 °C (77 °F)