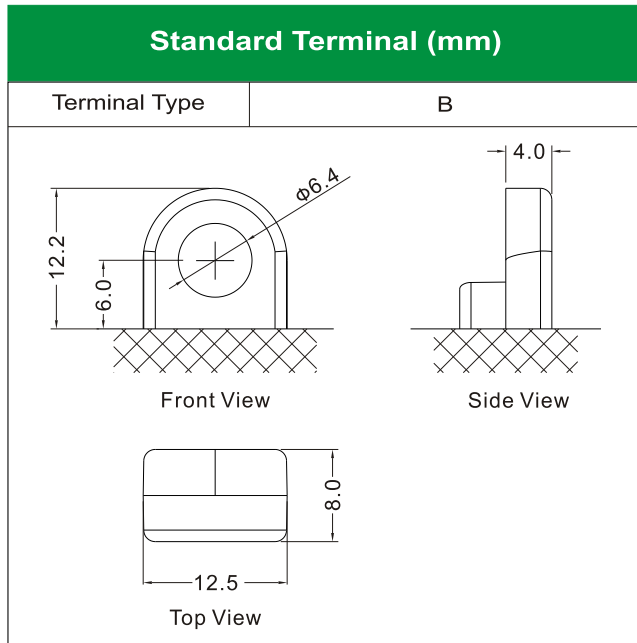
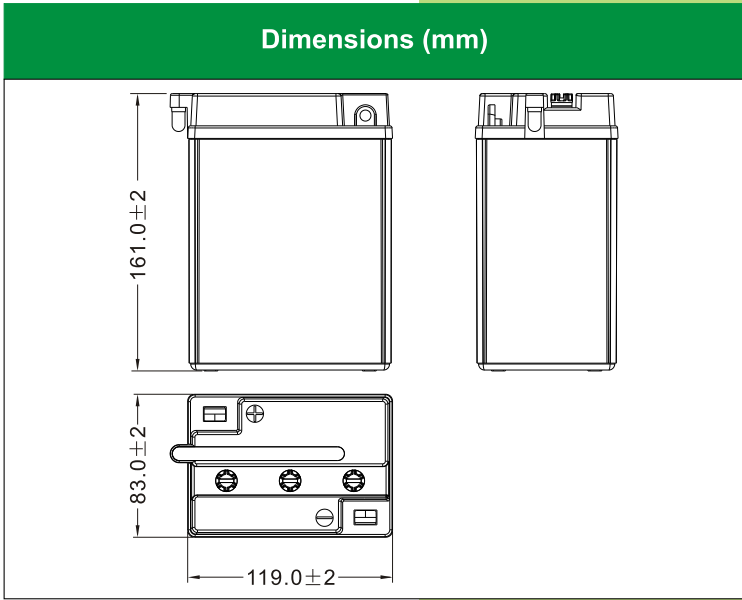


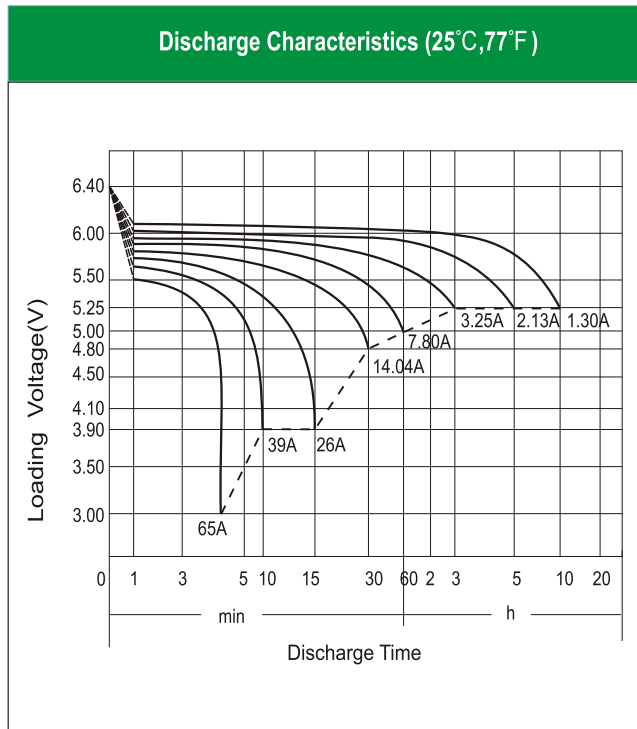


# B38-6A [6V13Ah]



### Physical Specification

Nominal Voltage	6V	
Nominal Capacity (10HR)	13Ah	
Dimension	Length	119 ± 1mm (4.69 inches)
	Width	83 ± 1mm (3.27 inches)
	Container Height	161 ± 1mm (6.34 inches)
	Total Height (with Terminal)	161 ± 1mm (6.34 inches)
Weight	Battery(with acid): Approx 2.80kg (6.17lbs) Electrolyte: Approx 1.00kg (2.21lbs)	
<ul style="list-style-type: none"> <li>* High performance and dry charged high quality and flooded battery</li> <li>* Low maintenance</li> <li>* Shipped without battery electrolyte pre-charged and ready to install</li> <li>* Replaces none battery</li> </ul>		



### Electrical Specification

Rated Capacity	10 hour rate (1.30A)	13.00Ah
	5 hour rate (2.13 A)	10.66Ah
	2 hour rate (4.55 A)	9.10Ah
	1 hour rate (7.80 A)	7.80Ah
	0.5 hour rate (14.04 A)	7.02Ah
Capacity affected by Temperature	40 °C (104 °F)	106%
	25 °C (77 °F)	100%
	0 °C (32 °F)	86%
	-15 °C (5 °F)	65%
Charging Methods	Full Charge	Constant-Voltage Charge: Initial charging current: less than 3.9A Voltage: 7.20 V ~ 7.50 V at 25 °C (77 °F) Charging time: 16 ~24h Constant-Current Charge: Charging current: 1.3A, when charging voltage up to 7.80V, continue to charge 2h.
	Floating Charge	No limit on Initial charging current Voltage: 6.75 V ~ 6.90 V at 25 °C (77 °F)