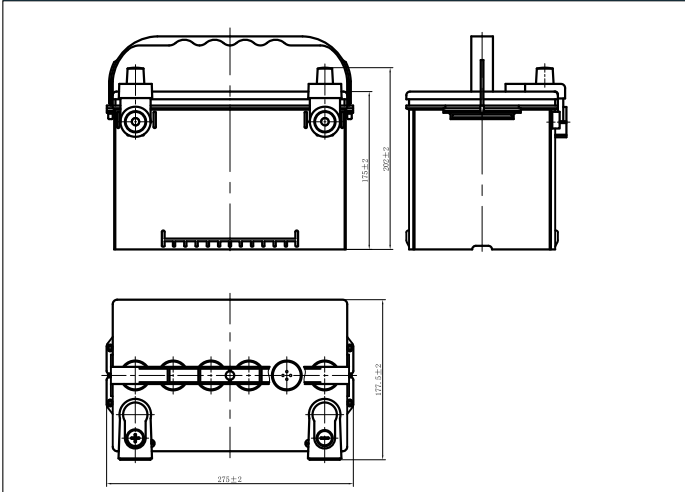




AGM78DT-55 (12V55Ah)



Dimensions (mm)



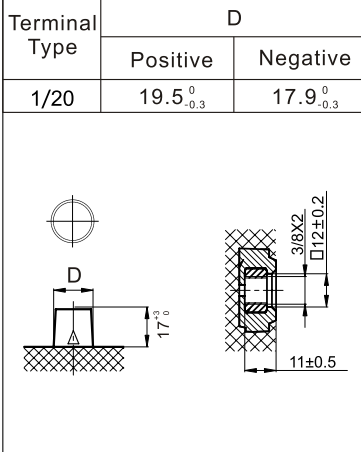
Physical Specification (mm)

Nominal Voltage		12V
Nominal Capacity(20HR)		55Ah
Dimension	Length	275±2mm(10.83inches)
	Width	177.5±2mm(6.99inches)
	Container Height	175±2mm(6.89inches)
	Total Height(with Terminal)	202±2mm(7.95inches)
Weight		Approx 19.5Kg(43.0lbs)
Standard Terminal		1/20
Cell layout		6
Hold-Down		B1
Cell plate qty		/
Case		Black-PP Material
Cover		Black-PP Material
Handle		Black-PP Material

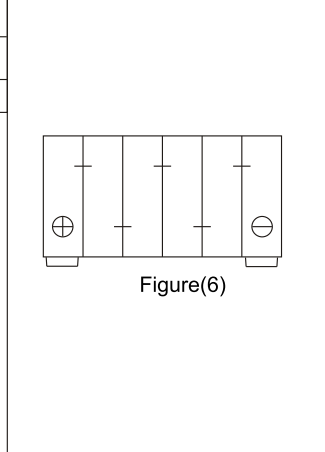
Electrical Specification

Rated Capacity	20 hour rate(2.75A)	55Ah
Reserve Capacity	120min	
Cold Cranking Performance Amps@0°F(-18°C)	650A	

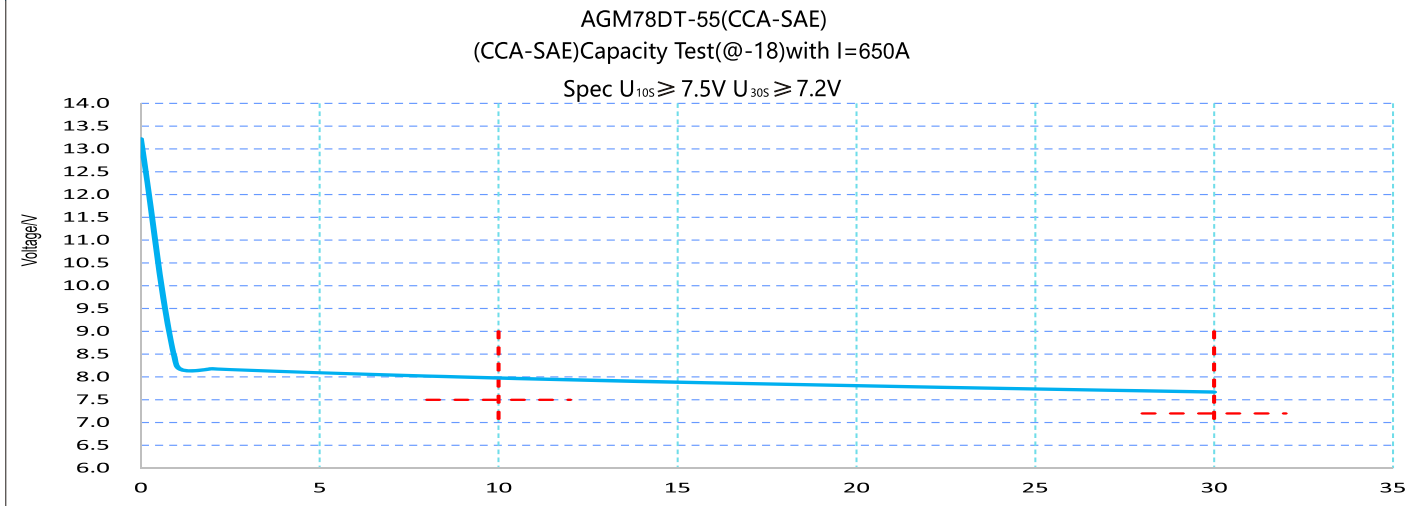
Standard Terminal (mm)



Cell Layout



Discharge Characteristics(-18°C,0°F)



*Values are subject to variation of +/- 5% in normal manufacturing processes.
 *Technical specifications and the product line above could be changed without prior notice.