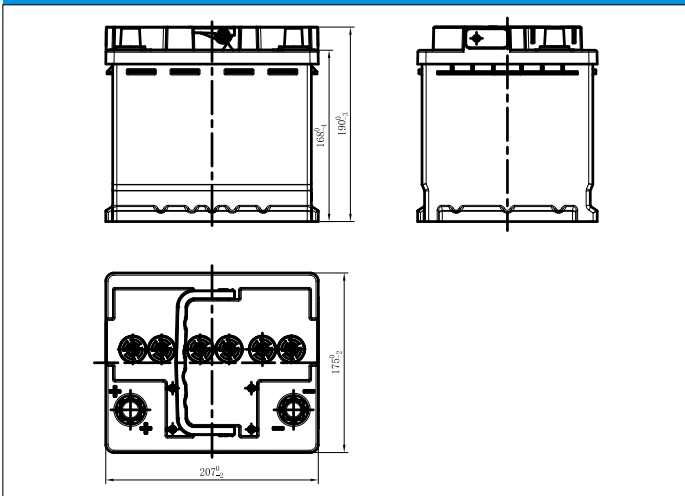




AGM-L1 [12V40Ah]



Dimensions (mm)



Physical Specification (mm)

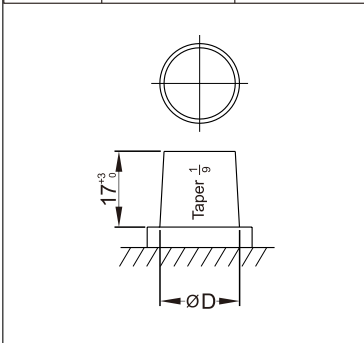
Nominal Voltage		12V
Nominal Capacity(20HR)		40Ah
Dimension	Length	207 +0/-2mm(8.15inches)
	Width	175 +0/-2mm(6.89inches)
	Container Height	190 +0/-3mm(7.48inches)
	Total Height(with Terminal)	190 +0/-3mm(7.48inches)
Weight		Approx 14.2Kg(31.31lbs)
Standard Terminal		1
Cell layout		1
Hold-Down		B13
Cell plate qty		/
Case		Black-PP Material
Cover		Black-PP Material
Handle		Black-PP Material

Electrical Specification

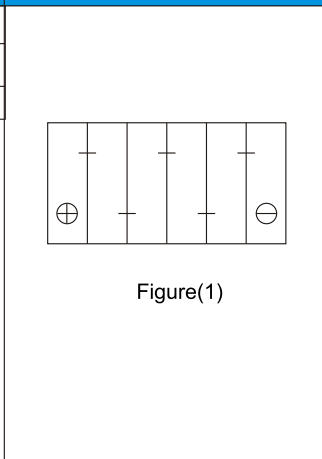
Rated Capacity	20 hour rate(2.0A)	40A
Reserve Capacity	61min	
Cold Cranking Performance Amps@0°F(-18°C)	400A	

Standard Terminal (mm)

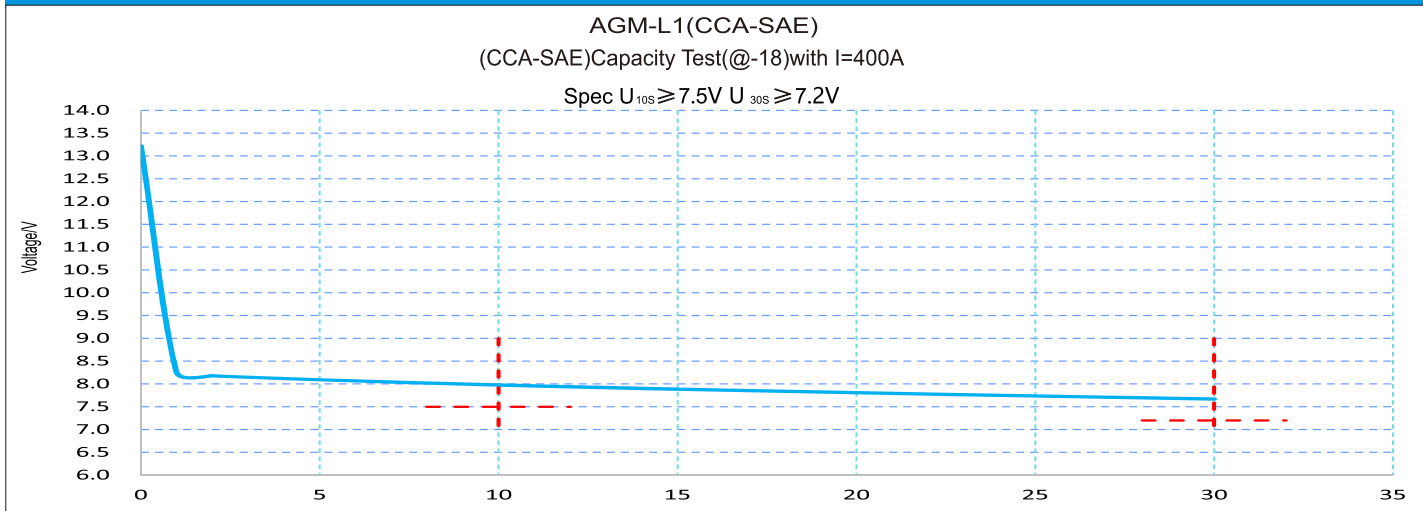
Terminal Type	D	
	Positive	Negative
1	19.5 ⁰ _{-0.3}	17.9 ⁰ _{-0.3}



Cell Layout



Discharge Characteristics(-18°C,0°F)



*Values are subject to variation of +/- 5% in normal manufacturing processes.
 *Technical specifications and the product line above could be changed without prior notice.