

Specification

Nominal Voltage	2V	
Capacity@30°C (86°F)	720.0Ah@5hr to 1.70V/cell	
Dimension	Length	173±2mm (6.81 inches)
	Width	198±2mm (7.80 inches)
	Container Height	404±2mm (15.91 inches)
	Total Height (with Terminal)	436±2mm (17.17 inches)
Approx Weight	Without Electrolyte	27.8 kg (61.30lbs)
	With Electrolyte	38.1 kg (84.01lbs)
Terminal Bolt	M10	
Container Material	PP	
Rated Capacity	720.0A H/144.0A	(5hr, 1.70V/cell, 30°C/86°F)
	360.0 AH/720.0A	(0.5hr, 1.50V/cell, 30°C/86°F)
Max. Discharge Current	5760A (5s)	
Operating Temp. Range	Discharge : -15~55°C (5~131°F)	
	Charge : 0~50°C (32~122°F)	
	Storage : 5~40°C (41~104°F)	
Cycle life	≥1200 cycles	
Cycle Use	Initial Charging Current less than 100.8A. Voltage	
	2.40V~2.50V at 25°C(77°F)Temp. Coefficient -5mV/°C	
Capacity affected by Temperature	40°C (104°F)	103%
	30°C (86°F)	100%
	0°C (32°F)	86%
Self Discharge	Leoch PzS(H) series batteries may be less than 8%C5 after storing 28 days at 20°C and then a freshening charge is required. For higher temperatures the time interval will be shorter.	

Applications

- ◆ forklift
- ◆ traction vehicles
- ◆ transportation vehicles
- ◆ tram cars
- ◆ buses,
- ◆ gymnastic and recreation locations.

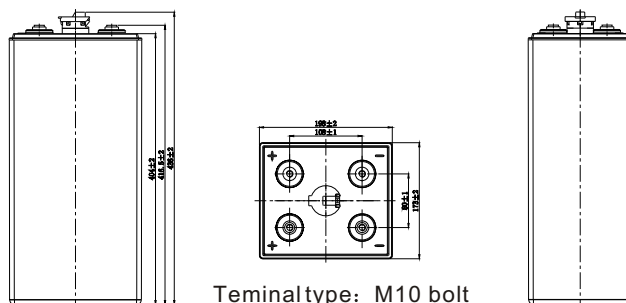
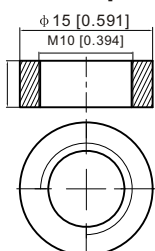
Construction Features

- ◆ Nonwoven protective gauntlet, better elastic property, less pore size, less electrical resistance and higher air permeability.
- ◆ Flexible, fully isolated connector prevents any creeping current.
- ◆ Flip top plugs with special electrolyte level indication.
- ◆ Automatic refilling plugs are also available (according request).
- ◆ Imported microporous catercorner separator with advanced quality provides higher porosity and lower electrical resistance.
- ◆ Containers and lids are made of polypropylene (PP). The impact resistance is very good.
- ◆ Patented terminal sealing construction fully prevents plate growth and electrolyte leakage.

Dimensions

Terminal

Unit: mm [inches]



Performance Characteristics

Discharge Characteristics



Density Effects in Relation to Voltage



Density Effects in Relation to Capacity



Temperature Effects in Relation to Battery Capacity



Discharge Characteristics



Cycle Life in Relation to Depth of Discharge



Sales Office

China sales office:

Add: 5th Floor, Xinbaohui Bldg., Nanshan Blvd.,
Nanshan, Shenzhen, China. 518052
Tel: +86-755-86036060 (100 lines)
Fax: +86-755-26067269
E-mail: export@leoch.com

North America sales office:

Add: 19751 Descartes, Unit A,
Foothill Ranch, CA 92610, USA
Tel: 949-588-5853
Fax: 949-588-5966
E-mail: sales@leoch.us

Europe sales office:

Add: 12C Wheatstone Park, Waterwells
Business Park, Gloucester, GL2 2AQ. UK.
Tel: +44(0) 1452 751016
Fax: +44 (0)1452-690125
E-mail: Sales.Europe@leoch.com