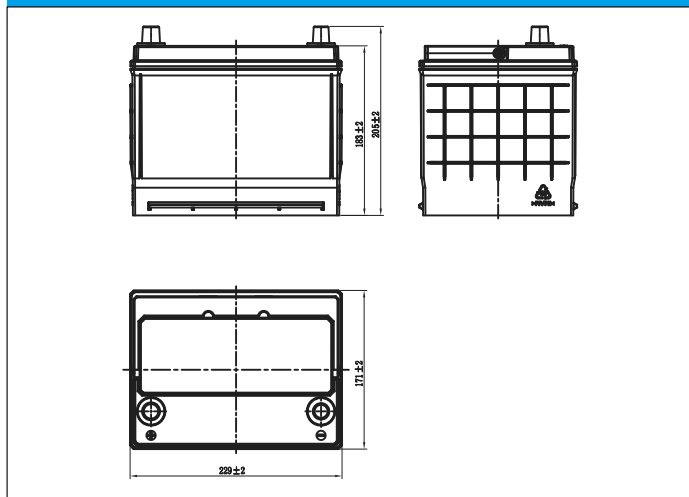




**LEOCH**  
**BCI 86-500 (12V60Ah)**



**Dimensions (mm)**



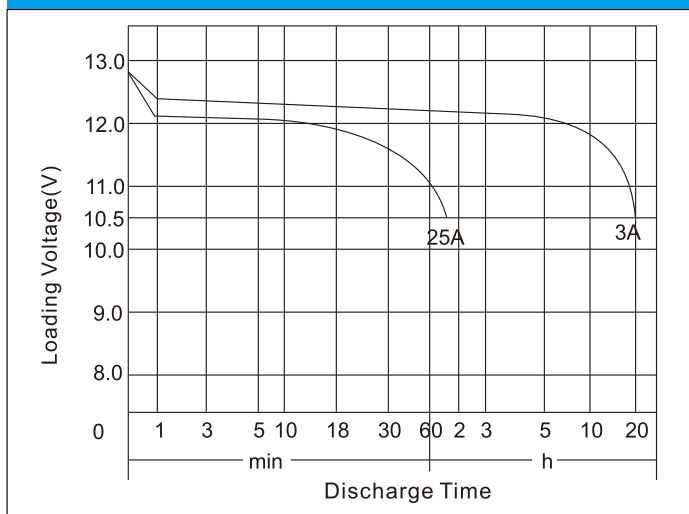
**Physical Specification (mm)**

Nominal Voltage		12V
Nominal Capacity(20HR)		60Ah
Dimension	Length	229±2mm(9.02inches)
	Width	171±2mm(6.73inches)
	Container Height	183±2mm(7.20inches)
	Total Height(with Terminal)	205±2mm(8.07inches)
Weight		Approx 14.5Kg(32.0lbs)
Acid		1.280±0.015g/cm <sup>3</sup> (25°C)
Standard Terminal		1
Cell layout		1
Hold-Down		B01
Cell plate qty		/
Case		Black-PP Material
Cover		Black-PP Material
Handle		Black-PP Material
QTY/PLT/layer		/

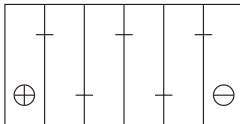
**Electrical Specification**

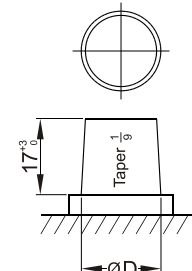
Rated Capacity	20 hour rate(3A)	60Ah
Reserve Capacity		98min
Cold Cranking Performance Amps@0°F(-18°C)		500A

**Discharge Characteristics(25°C,70°F)**



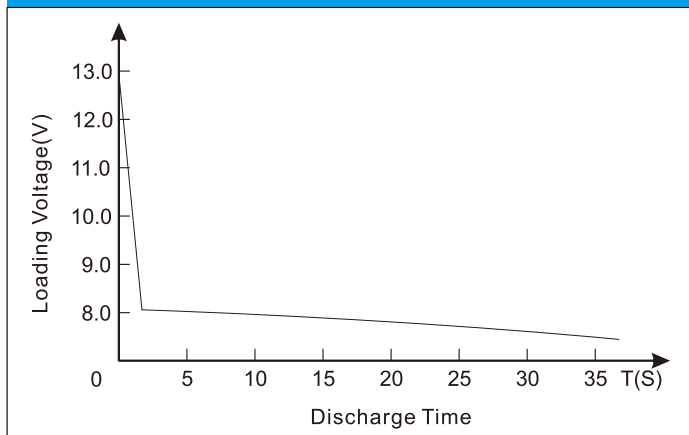
**Standard Terminal (mm)      Cell Layout**

Terminal Type	D		Cell Layout
	Positive	Negative	
1	19.5 <sup>0</sup> <sub>-0.3</sub>	17.9 <sup>0</sup> <sub>-0.3</sub>	



Figure(1)

**Discharge Characteristics(-18°C,0°F)**



\*Values are subject to variation of +/- 5% in normal manufacturing processes.  
\*Technical specifications and the product line above could be changed without prior notice.