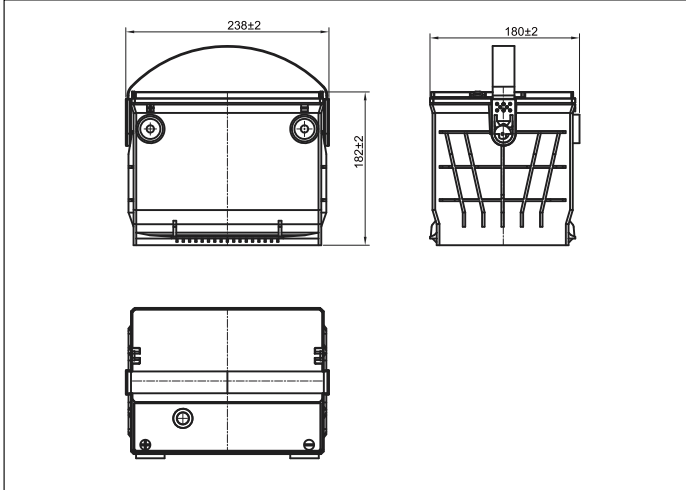




BCI 75-520 (12V55Ah)



Dimensions (mm)



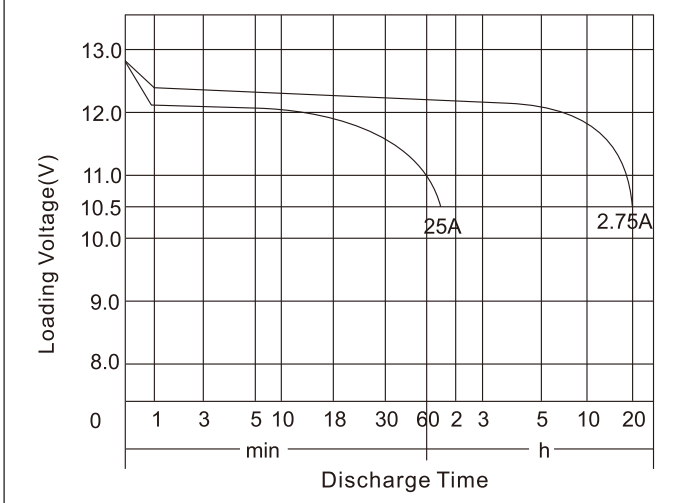
Physical Specification (mm)

| | | |
|------------------------|-----------------------------|-------------------------------------|
| Nominal Voltage | | 12V |
| Nominal Capacity(20HR) | | 55Ah |
| Dimension | Length | 238±2mm(9.37inches) |
| | Width | 180±2mm(7.09inches) |
| | Container Height | 182±2mm(7.17inches) |
| | Total Height(with Terminal) | 182±2mm(7.17inches) |
| Weight | | Approx 14.6Kg(32.2lbs) |
| Acid | | 1.280±0.015g/cm ³ (25°C) |
| Standard Terminal | | 20 |
| Cell layout | | 6 |
| Hold-Down | | B01 |
| Cell plate qty | | / |
| Case | | Black-PP Material |
| Cover | | Black-PP Material |
| Handle | | Black-PP Material |
| QTY/PLT/layer | | / |

Electrical Specification

| | | |
|---|---------------------|-------|
| Rated Capacity | 20 hour rate(2.75A) | 55Ah |
| Reserve Capacity | | 88min |
| Cold Cranking Performance Amps@0°F(-18°C) | | 520A |

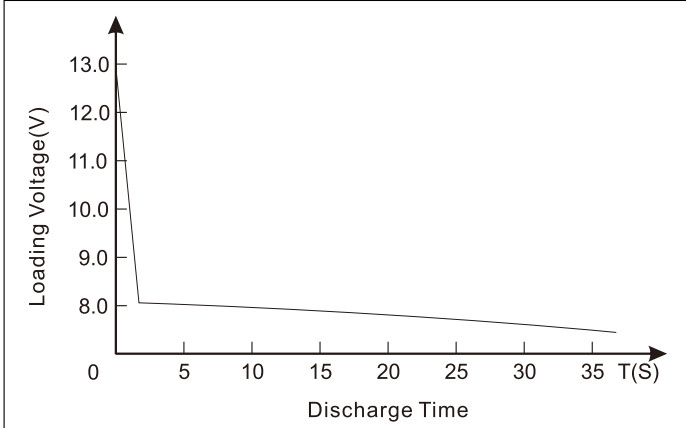
Discharge Characteristics(25°C,70°F)



Standard Terminal (mm) Cell Layout

| | | |
|---------------|----|------------------|
| Terminal Type | 20 | <p>Figure(6)</p> |
| | | |

Discharge Characteristics(-18°C,0°F)



*Values are subject to variation of +/- 5% in normal manufacturing processes.
 *Technical specifications and the product line above could be changed without prior notice.