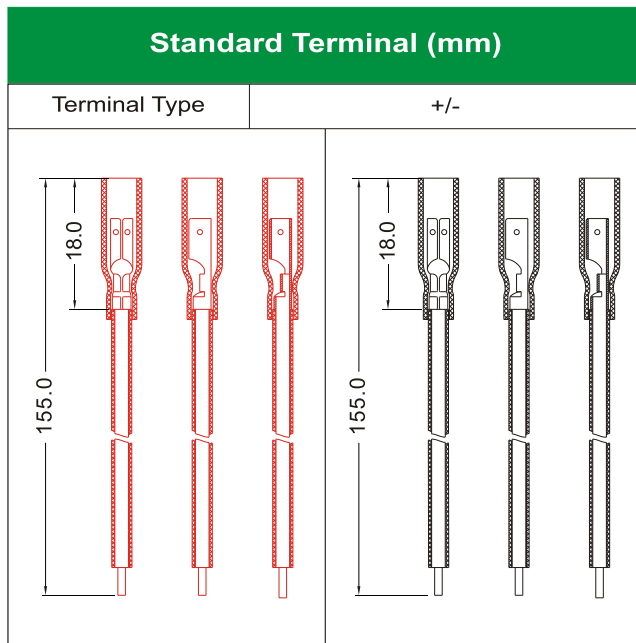
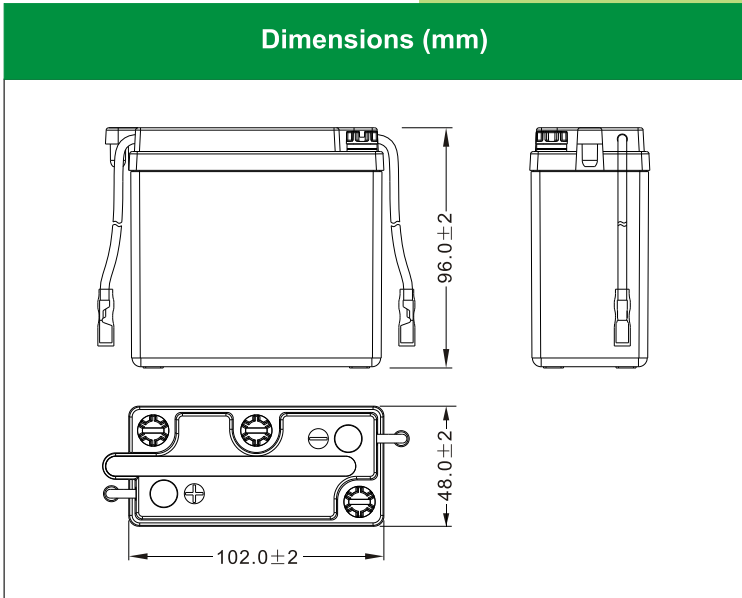




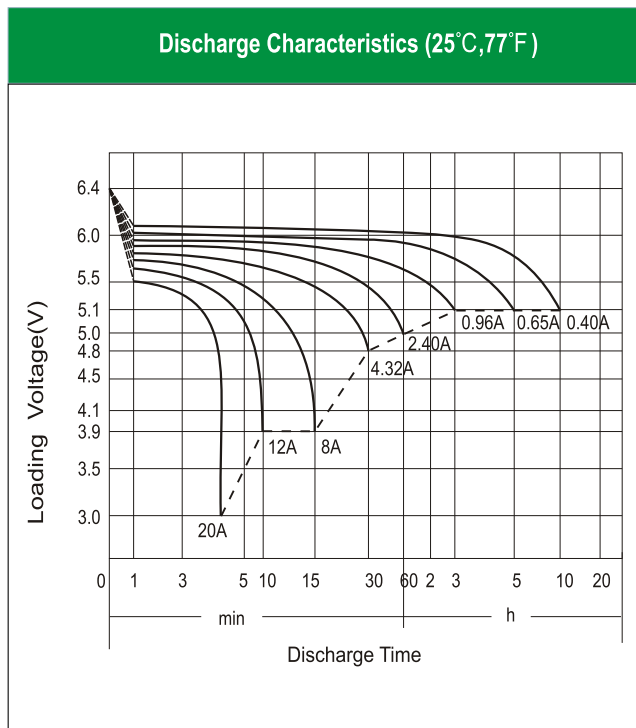
6N4B-2A [6V4Ah]



Physical Specification

| | | |
|-------------------------|---|-------------------------|
| Nominal Voltage | 6V | |
| Nominal Capacity (10HR) | 4Ah | |
| Dimension | Length | 102 ± 2mm (4.02 inches) |
| | Width | 48 ± 2mm (1.89 inches) |
| | Container Height | 96 ± 2mm (3.78 inches) |
| | Total Height (with Terminal) | 96 ± 2mm (3.78 inches) |
| Weight | Battery(with acid): Approx 0.90 kg (2.00 lbs) | |
| | Electrolyte: Approx 0.28kg (0.62 lbs) | |

- * High performance and dry charged high quality and flooded battery
- * Low maintenance
- * Shipped without battery electrolyte pre-charged and ready to install
- * Replaces none battery



Electrical Specification

| | | |
|----------------------------------|------------------------|--|
| Rated Capacity | 10 hour rate (0.40A) | 4.00Ah |
| | 5 hour rate (0.65A) | 3.28Ah |
| | 2 hour rate (1.40 A) | 2.80Ah |
| | 1 hour rate (2.40 A) | 2.40Ah |
| | 0.5 hour rate (4.32 A) | 2.16Ah |
| Capacity affected by Temperature | 40 °C (104 °F) | 106% |
| | 25 °C (77 °F) | 100% |
| | 0 °C (32 °F) | 86% |
| | -15 °C (5 °F) | 65% |
| Charging Methods | Full Charge | Constant-Voltage Charge: Initial charging current: less than 1.2A Voltage: 7.20 V ~ 7.50 V at 25 °C (77 °F) Charging time: 16 ~24h Constant-Current Charge: Charging current: 0.4A, when charging voltage up to 7.80V, continue to charge 2h. |
| | Floating Charge | No limit on Initial charging current Voltage: 6.75V ~ 6.90 V at 25 °C (77 °F) |