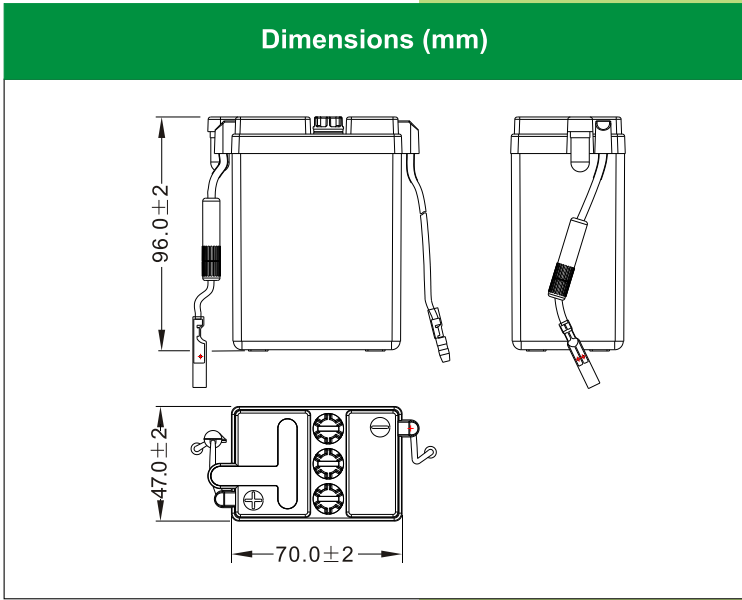
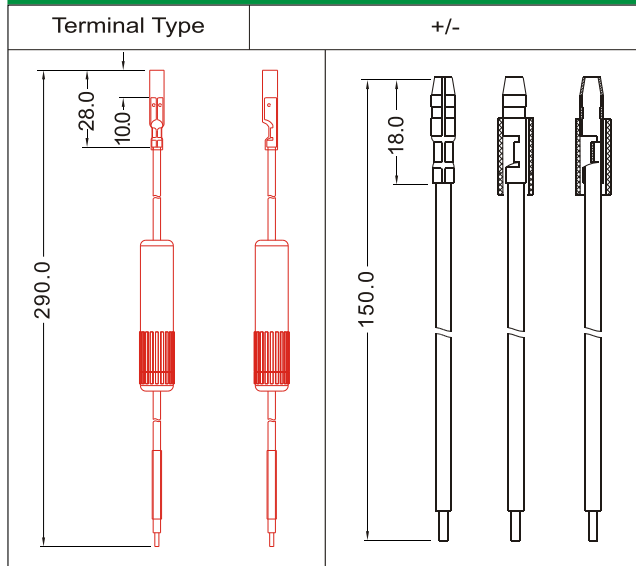




6N2-2A-8 [6V2Ah]



Standard Terminal (mm)

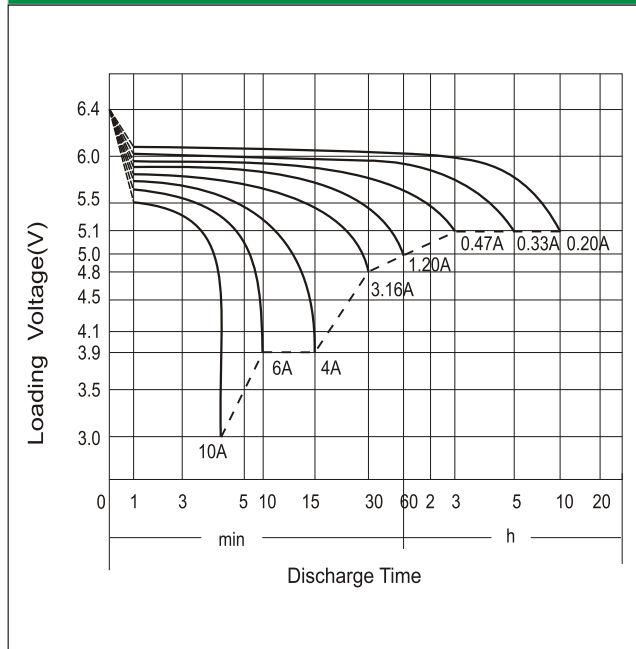


Physical Specification

Nominal Voltage	6V	
Nominal Capacity (10HR)	2Ah	
Dimension	Length	70 ± 2mm (2.76 inches)
	Width	47 ± 2mm (1.85 inches)
	Container Height	96 ± 2mm (3.78 inches)
	Total Height (with Terminal)	96 ± 2mm (3.78 inches)
Weight	Battery(with acid): Approx 0.62kg (1.37lbs)	
	Electrolyte: Approx 0.19kg (0.42lbs)	

- * High performance and dry charged high quality and flooded battery
- * Low maintenance
- * Shipped without battery electrolyte pre-charged and ready to install
- * Replaces none battery

Discharge Characteristics (25°C, 77°F)



Electrical Specification

Rated Capacity	10 hour rate (0.20A)	2.00Ah
	5 hour rate (0.33 A)	1.64Ah
	2 hour rate (0.70 A)	1.40Ah
	1 hour rate (1.20 A)	1.20Ah
	0.5 hour rate (3.16 A)	1.08Ah
Capacity affected by Temperature	40 °C (104 °F)	106%
	25 °C (77 °F)	100%
	0 °C (32 °F)	86%
	-15 °C (5 °F)	65%
Charging Methods	Full Charge	Constant-Voltage Charge: Initial charging current: less than 0.6A Voltage: 7.20 V ~ 7.50 V at 25 °C (77 °F) Charging time: 16 ~24h Constant-Current Charge: Charging current: 0.2A, when charging voltage up to 7.80V, continue to charge 2h.
	Floating Charge	No limit on Initial charging current Voltage: 6.75V ~ 6.90 V at 25 °C (77 °F)