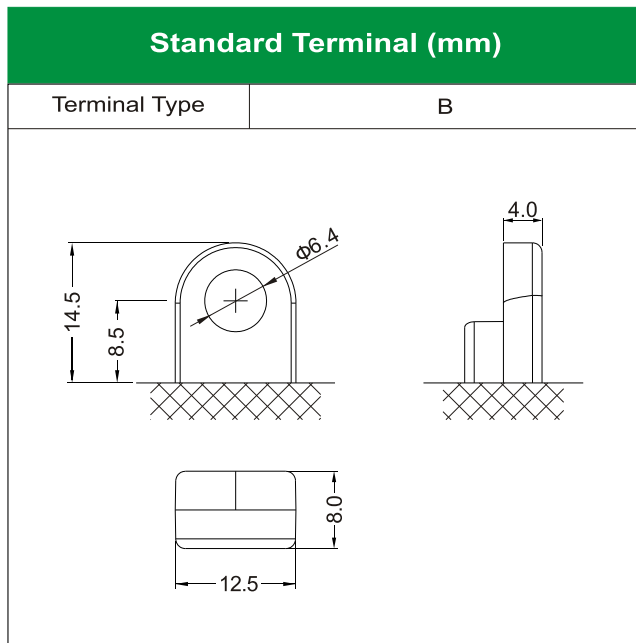
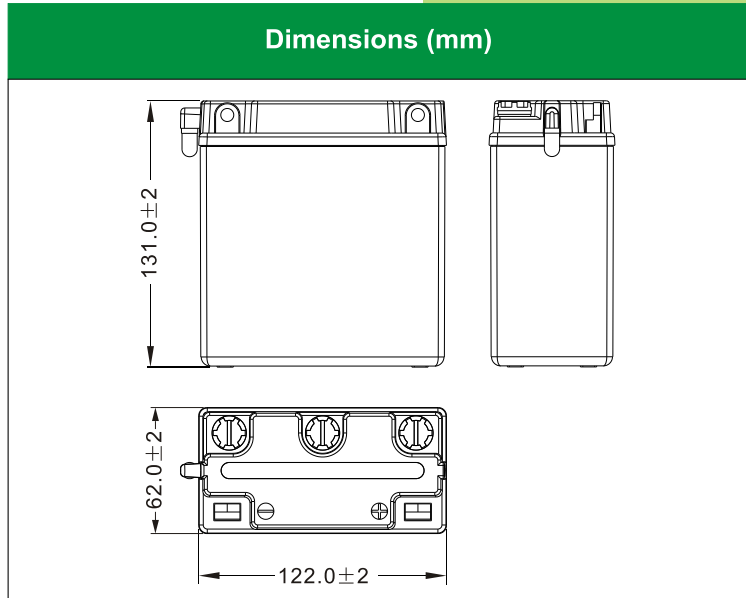
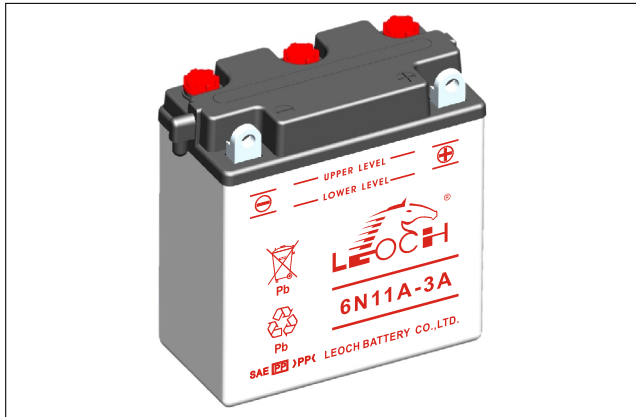




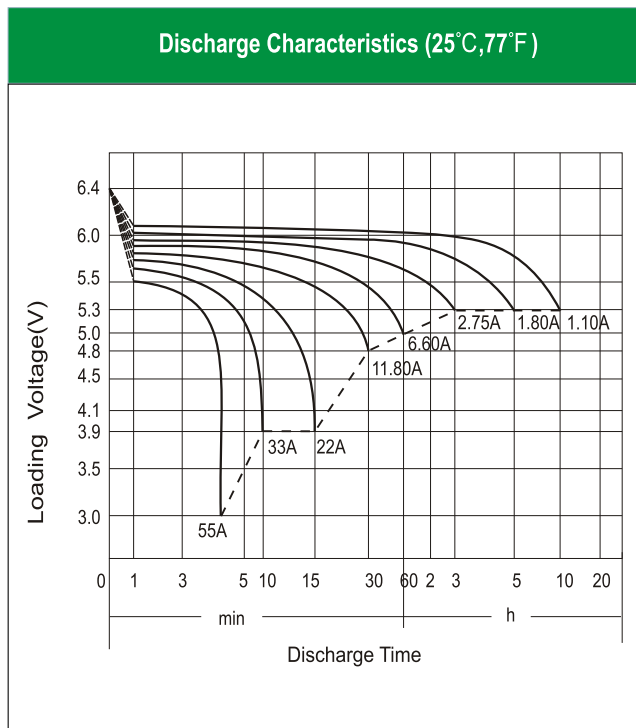
6N11A-3A [6V11Ah]



Physical Specification

Nominal Voltage		6V
Nominal Capacity (10HR)		11Ah
Dimension	Length	122 ± 2mm (4.80 inches)
	Width	62 ± 2mm (2.44 inches)
	Container Height	131 ± 2mm (5.16 inches)
	Total Height (with Terminal)	131 ± 2mm (5.16 inches)
Weight	Battery(with acid): Approx 2.06kg (4.55lbs)	
	Electrolyte: Approx 0.61kg (1.35lbs)	

- * High performance and dry charged high quality and flooded battery
- * Low maintenance
- * Shipped without battery electrolyte pre-charged and ready to install
- * Replaces 6N11A-3 battery



Electrical Specification

Rated Capacity	10 hour rate (1.10A)	11.00Ah
	5 hour rate (1.80 A)	9.02Ah
	2 hour rate (3.85 A)	7.70Ah
	1 hour rate (6.60 A)	6.60Ah
	0.5 hour rate (11.80 A)	5.94Ah
Capacity affected by Temperature	40 °C (104 °F)	106%
	25 °C (77 °F)	100%
	0 °C (32 °F)	86%
	-15 °C (5 °F)	65%
Charging Methods	Full Charge	Constant-Voltage Charge: Initial charging current: less than 3.3A Voltage: 7.20 V ~ 7.50 V at 25 °C (77 °F) Charging time: 16 ~24h Constant-Current Charge: Charging current: 1.1A, when charging voltage up to 7.80V, continue to charge 2h.
	Floating Charge	No limit on Initial charging current Voltage: 6.75 V ~ 6.90 V at 25 °C (77 °F)