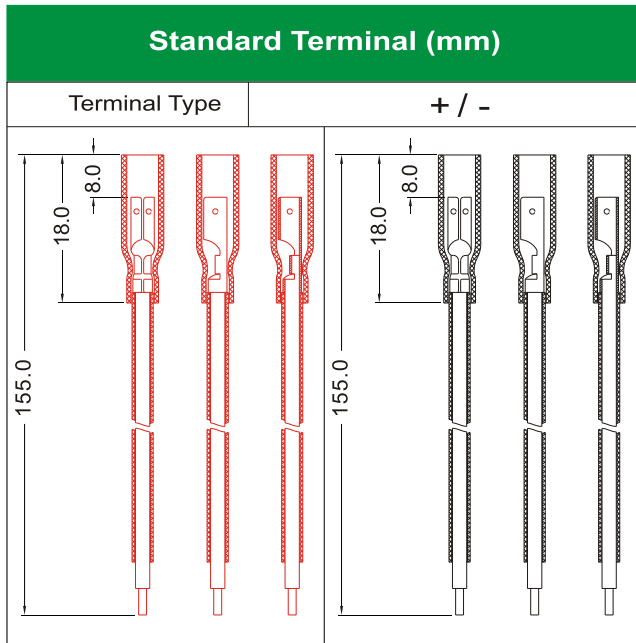
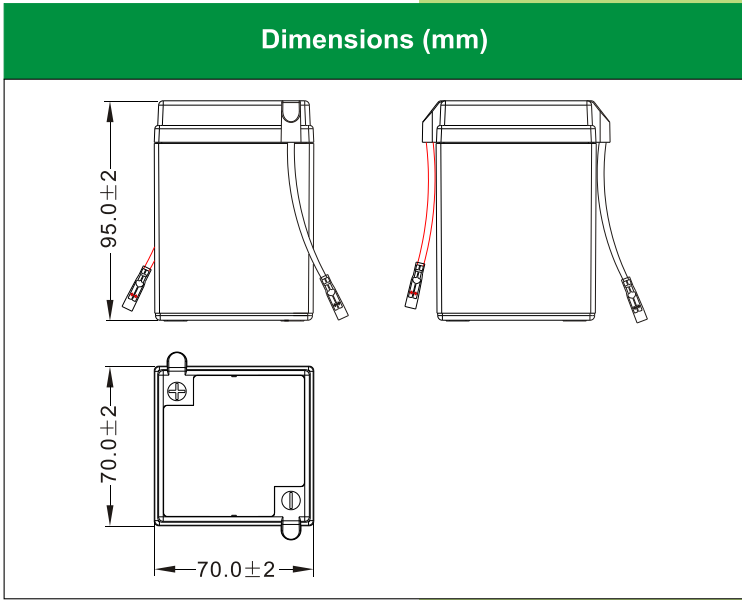




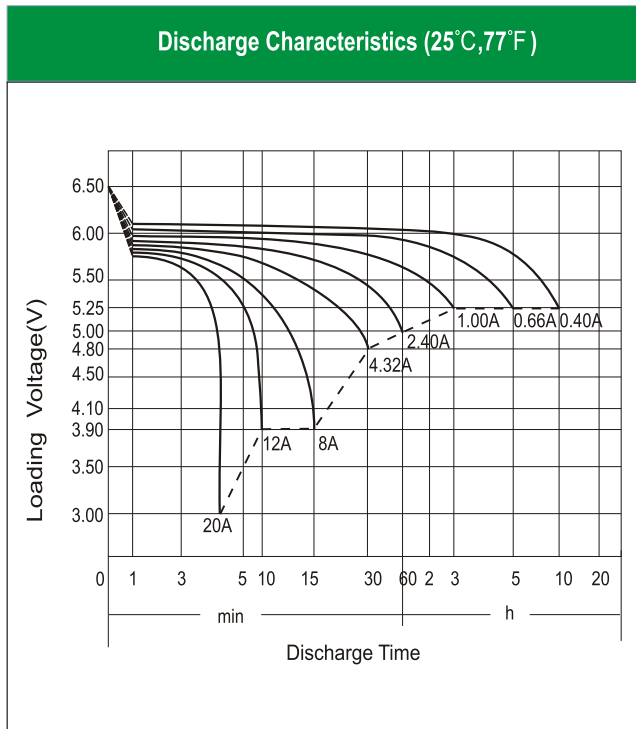
# 6LT4-2 [6V4Ah]



### Physical Specification

Nominal Voltage	6V	
Nominal Capacity (10HR)	4Ah	
Dimension	Length	70 ± 2mm (2.76 inches)
	Width	70 ± 2mm (2.76 inches)
	Container Height	95 ± 2mm (3.74 inches)
	Total Height (with Terminal)	95 ± 2mm (3.74 inches)
Weight	Battery(with acid): Approx 0.86kg (1.90lbs)	
	Electrolyte: Approx 0.17kg (0.37lbs)	

- \* Sealed and non-spillable AGM battery
- \* Maintenance-free
- \* Shipped pre-charged and ready to install
- \* Replaces 6LT4-BS battery



### Electrical Specification

Rated Capacity	10 hour rate (0.40 A)	4.0Ah
	5 hour rate (0.66 A)	3.28Ah
	2 hour rate (1.40 A)	2.80Ah
	1 hour rate (2.40 A)	2.40Ah
	0.5 hour rate (4.32 A)	2.16Ah
Capacity affected by Temperature	40 °C (104 °F)	106%
	25 °C (77 °F)	100%
	0 °C (32 °F)	86%
	-15 °C (5 °F)	65%
Charging Methods	Full Charge	Constant-Voltage Charge: Initial charging current: less than 1.2A Voltage: 7.20 V ~ 7.50 V at 25 °C (77 °F) Charging time: 15 ~18h Constant-Current Charge: Charging current: 0.1C <sub>10</sub> =0.40A, when charging voltage up to 7.20V, continue to charge 4h
	Floating Charge	No limit on Initial charging current Voltage: 6.75 V ~ 6.90 V at 25 °C (77 °F)