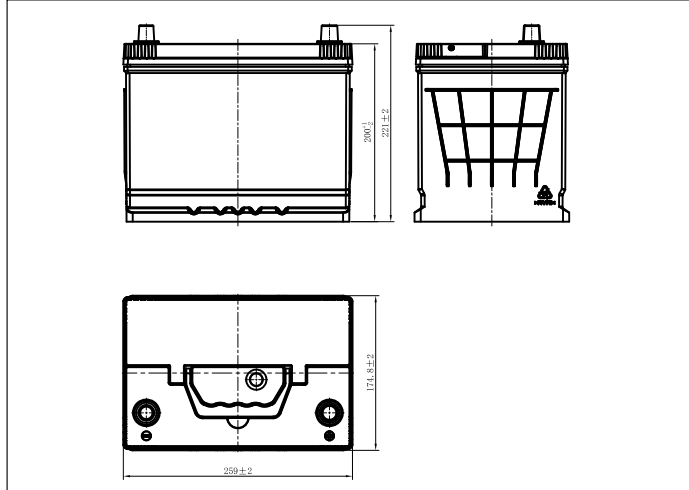




6-QW-43(360)-L (12V43Ah)



Dimensions (mm)



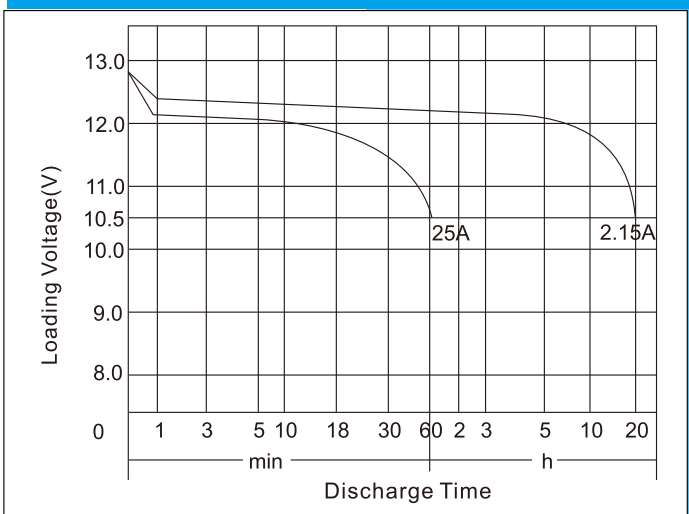
Physical Specification (mm)

Nominal Voltage		12V
Nominal Capacity(20HR)		43Ah
Dimension	Length	259±2mm(10.20inches)
	Width	174.8±2mm(6.88inches)
	Container Height	200+1/-2mm(7.87inches)
	Total Height(with Terminal)	221±2mm(8.70inches)
Weight		Approx14.8Kg(32.63lbs)
Acid		1.280±0.015g/cm ³ (25°C)
Standard Terminal		1
Cell layout		0
Hold-Down		B1
Cell plate qty		/
Case		Black-PP Material
Cover		Black-PP Material
Handle		Black-PP Material
QTY/PLT/layer		/

Electrical Specification

Rated Capacity	20 hour rate(2.15A)	43Ah
Reserve Capacity		66min
Cold Cranking Performance Amps@0°F(-18°C)		360A

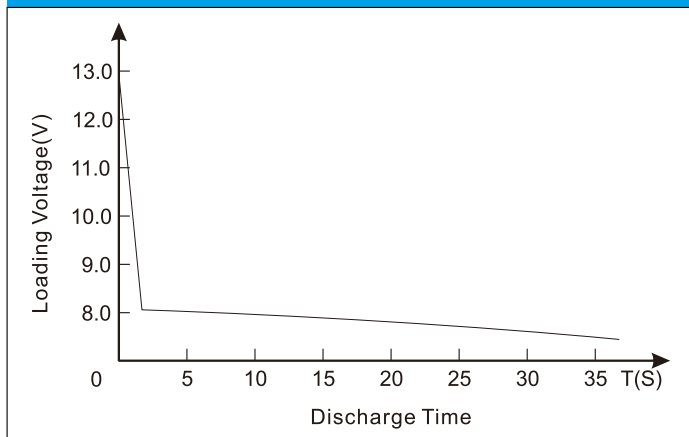
Discharge Characteristics(25°C,70°F)



Standard Terminal (mm) Cell Layout

Terminal Type	D		Cell Layout
	Positive	Negative	
1	19.5 ⁰ _{-0.3}	17.9 ⁰ _{-0.3}	<p>Figure(0)</p>

Discharge Characteristics(-18°C,0°F)



*Values are subject to variation of +/- 5% in normal manufacturing processes.
 *Technical specifications and the product line above could be changed without prior notice.