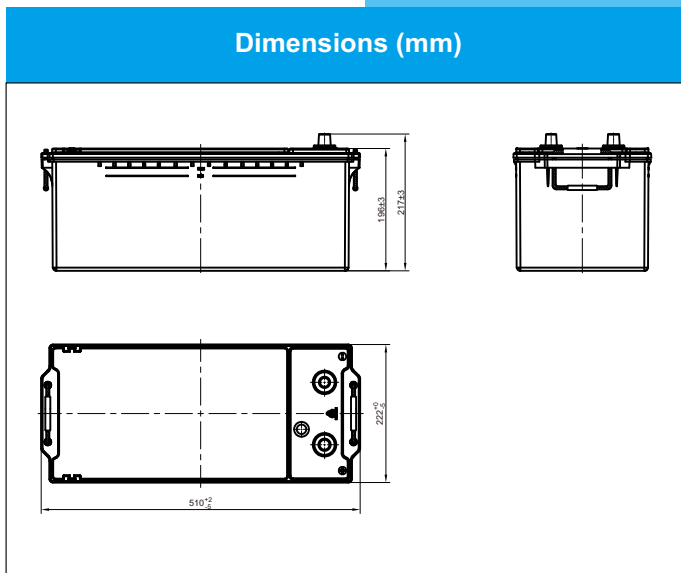




LEOCH BATTERY

6-QW-145(880)-R 12V145Ah



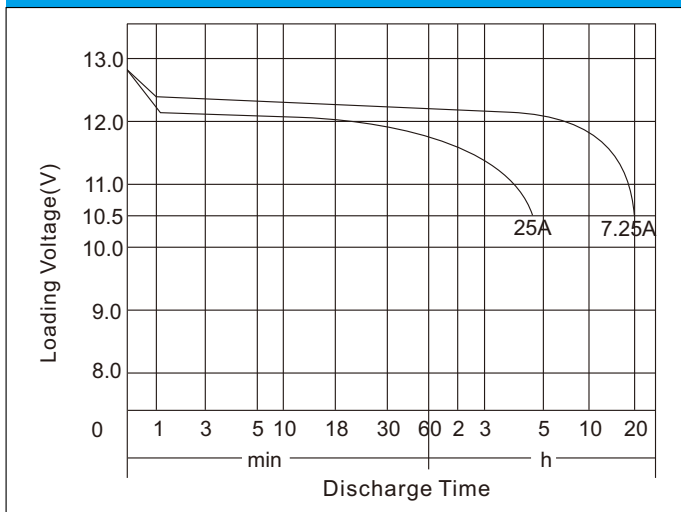
Physical Specification (mm)

Nominal Voltage		12V
Nominal Capacity(20HR)		145Ah
Dimension	Length	510 +2/-5mm(20.08inches)
	Width	222 +0/-5mm(8.74inches)
	Container Height	196±3mm(7.72inches)
	Total Height(with Terminal)	217±3mm(8.54inches)
Weight		Approx 38.8Kg(85.55lbs)
Acid		1.280±0.015g/cm ³ (25°C)
Standard Terminal		1
Cell layout		3
Hold-Down		B0
Cell plate qty		/
Case		Black-PP Material
Cover		Black-PP Material
Handle		Black-PP Material
QTY/PLT/layer		/

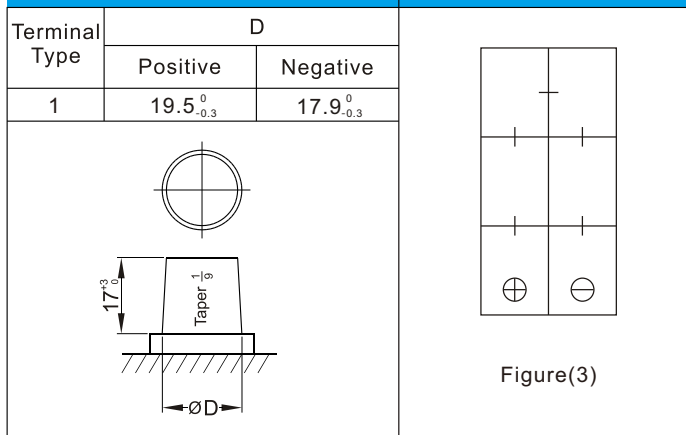
Electrical Specification

Rated Capacity	20 hour rate(7.25A)	145Ah
Reserve Capacity		278min
Cold Cranking Performance Amps@0°F(-18°C)		880A

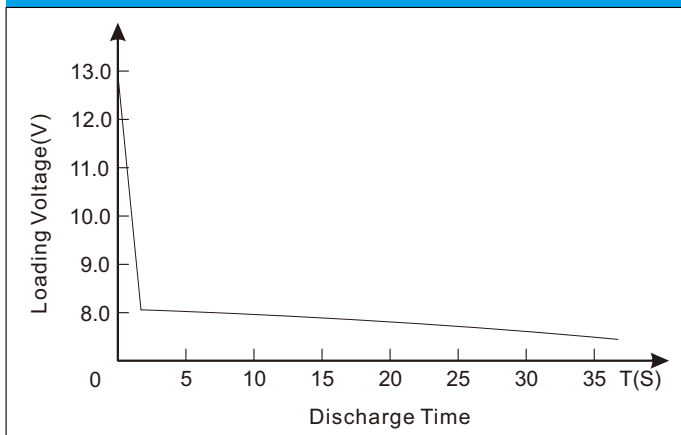
Discharge Characteristics(25°C,70°F)



Standard Terminal (mm) Cell Layout



Discharge Characteristics(-18°C,0°F)



*Values are subject to variation of +/- 5% in normal manufacturing processes.
 *Technical specifications and the product line above could be changed without prior notice.