



JIS 55B24L (12V48Ah)



Physical Specification (mm)

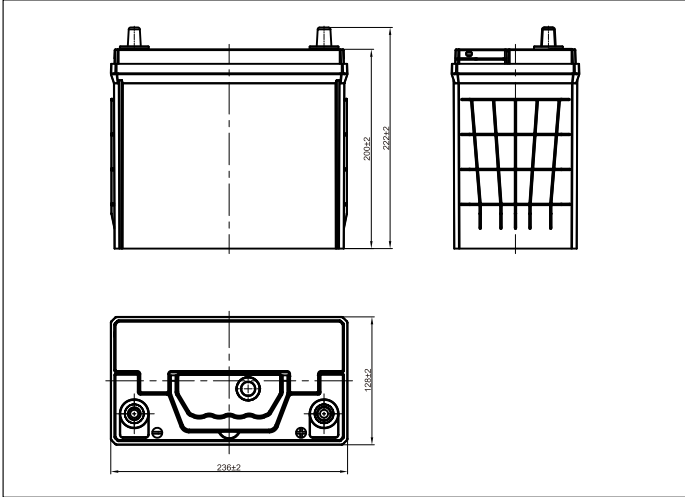
Nominal Voltage		12V
Nominal Capacity(20HR)		48Ah
Dimension	Length	236±2mm(9.29inches)
	Width	128±2mm(5.04inches)
	Container Height	200±2mm(7.87inches)
	Total Height(with Terminal)	222±2mm(8.74inches)
Weight		Approx 12.0Kg(26.46lbs)
Acid		1.280±0.015g/cm ³ (25°C)
Standard Terminal		3
Cell layout		0
Hold-Down		B0
Cell plate qty		/
Case		Black-PP Material
Cover		Black-PP Material
Handle		Black-PP Material
QTY/PLT/layer		/

Standard Terminal (mm) Cell Layout

Terminal Type	D		Diagram
	Positive	Negative	
3	14.7 ⁰ _{-0.3}	13.0 ⁰ _{-0.3}	
			Figure(0)

*Values are subject to variation of +/- 5% in normal manufacturing processes.
 *Technical specifications and the product line above could be changed without prior notice.

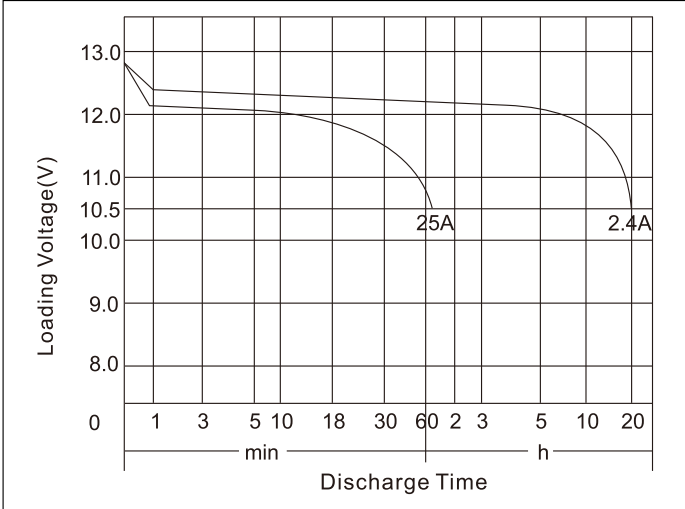
Dimensions (mm)



Electrical Specification

Rated Capacity	20 hour rate(2.4A)	48Ah
Reserve Capacity		75min
Cold Cranking Performance Amps@0°F(-18°C)		350A

Discharge Characteristics(25°C,70°F)



Discharge Characteristics(-18°C,0°F)

