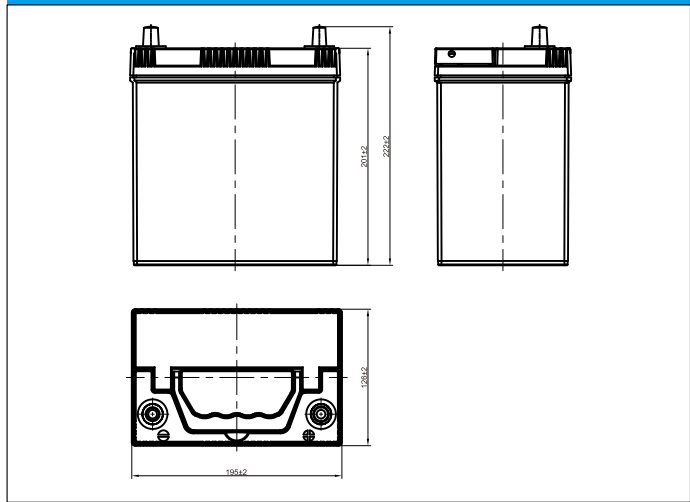




JIS 36B20L (12V32Ah)



Dimensions (mm)



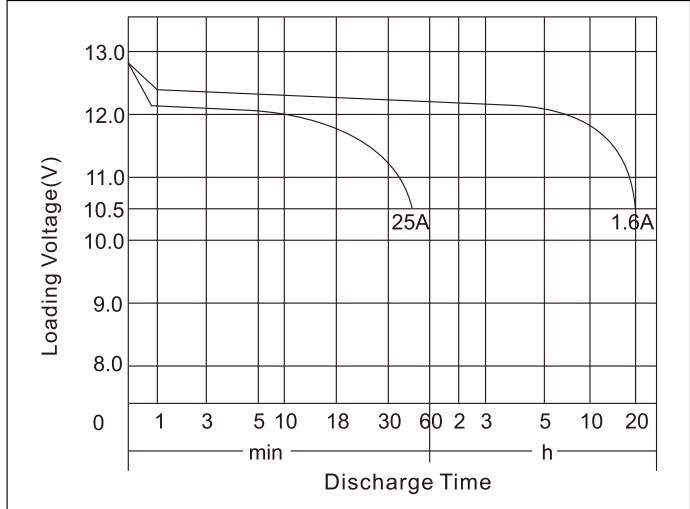
Physical Specification (mm)

| | | |
|------------------------|-----------------------------|-------------------------------------|
| Nominal Voltage | | 12V |
| Nominal Capacity(20HR) | | 32Ah |
| Dimension | Length | 195±2mm(7.68inches) |
| | Width | 126±2mm(4.96inches) |
| | Container Height | 201±2mm(7.91inches) |
| | Total Height(with Terminal) | 222±2mm(8.74inches) |
| Weight | | Approx 9.2Kg(20.29lbs) |
| Acid | | 1.280±0.015g/cm ³ (25°C) |
| Standard Terminal | | 3 |
| Cell layout | | 0 |
| Hold-Down | | B0 |
| Cell plate qty | | / |
| Case | | Black-PP Material |
| Cover | | Black-PP Material |
| Handle | | Black-PP Material |
| QTY/PLT/layer | | / |

Electrical Specification

| | | |
|---|--------------------|-------|
| Rated Capacity | 20 hour rate(1.6A) | 32Ah |
| Reserve Capacity | | 47min |
| Cold Cranking Performance Amps@0°F(-18°C) | | 310A |

Discharge Characteristics(25°C,70°F)

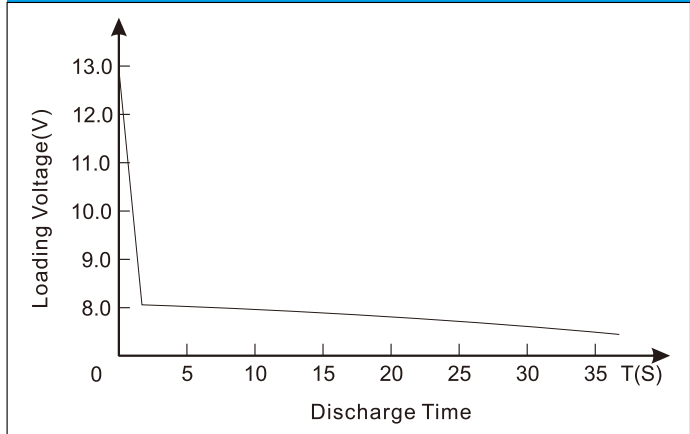


Standard Terminal (mm) Cell Layout

| Terminal Type | D | |
|---------------|-----------------------------------|-----------------------------------|
| | Positive | Negative |
| 3 | 14.7 ⁰ _{-0.3} | 13.0 ⁰ _{-0.3} |

Figure(0)

Discharge Characteristics(-18°C,0°F)



*Values are subject to variation of +/- 5% in normal manufacturing processes.
 *Technical specifications and the product line above could be changed without prior notice.