



# JIS 32B24LS (12V40Ah)

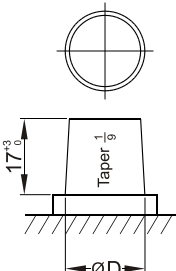
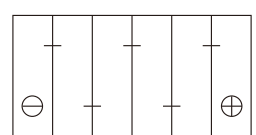


## Physical Specification (mm)

Nominal Voltage		12V
Nominal Capacity(20HR)		40Ah
Dimension	Length	236±2mm(9.29inches)
	Width	128±2mm(5.04inches)
	Container Height	200±2mm(7.87inches)
	Total Height(with Terminal)	222±2mm(8.74inches)
Weight		Approx 11.4Kg(25.14lbs)
Acid		1.280±0.015g/cm <sup>3</sup> (25°C)
Standard Terminal		1
Cell layout		0
Hold-Down		B0
Cell plate qty		/
Case		Black-PP Material
Cover		Black-PP Material
Handle		Black-PP Material
QTY/PLT/layer		/

## Standard Terminal (mm)      Cell Layout

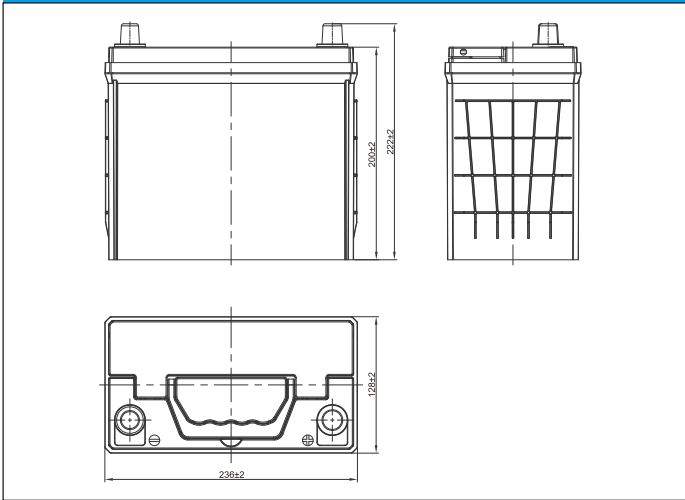
Terminal Type	D	
	Positive	Negative
1	19.5 <sup>0</sup> <sub>-0.3</sub>	17.9 <sup>0</sup> <sub>-0.3</sub>

Figure(0)

\*Values are subject to variation of +/- 5% in normal manufacturing processes.  
 \*Technical specifications and the product line above could be changed without prior notice.

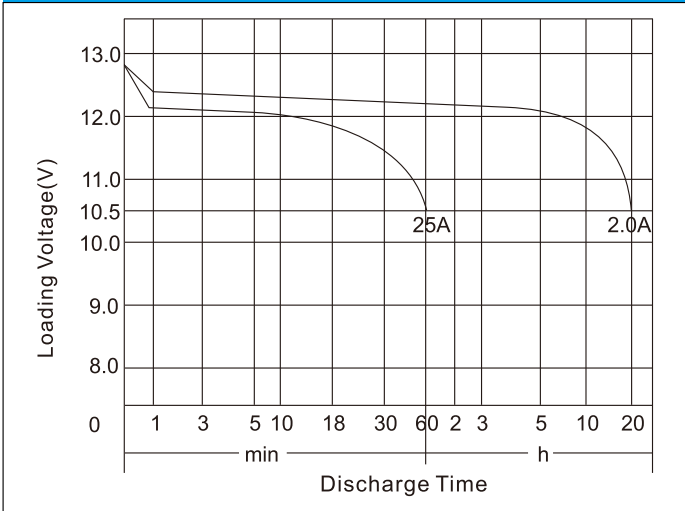
## Dimensions (mm)



## Electrical Specification

Rated Capacity	20 hour rate(2.0A)	40Ah
Reserve Capacity		61min
Cold Cranking Performance Amps@0°F(-18°C)		380A

## Discharge Characteristics(25°C,70°F)



## Discharge Characteristics(-18°C,0°F)

