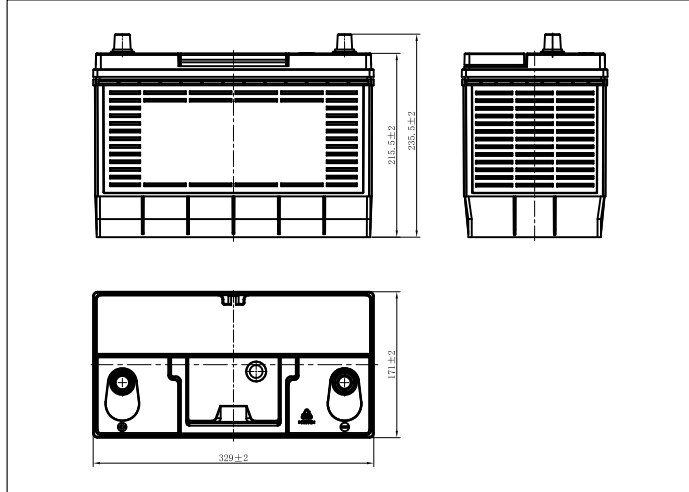




Dimensions (mm)



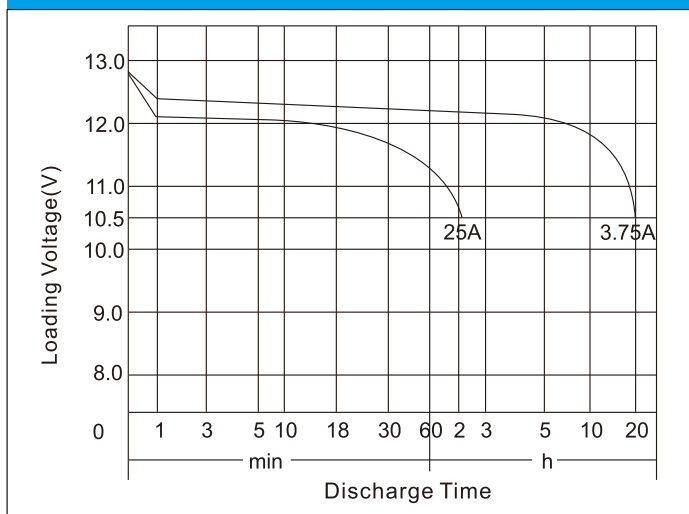
Physical Specification (mm)

Nominal Voltage	12V	
Nominal Capacity(20HR)	75Ah	
Dimension	Length	329±2mm(12.95inches)
	Width	171±2mm(6.73inches)
	Container Height	215.5±2mm(8.48inches)
	Total Height(with Terminal)	235.5±2mm(9.27inches)
Weight	Approx 21.5Kg(47.41lbs)	
Acid	1.280±0.015g/cm ³ (25°C)	
Standard Terminal	5	
Cell layout	1	
Hold-Down	B0	
Cell plate qty	/	
Case	Black-PP Material	
Cover	Black-PP Material	
Handle	Black-PP Material	
QTY/PLT/layer	/	

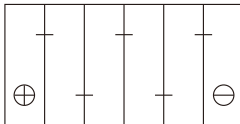
Electrical Specification

Rated Capacity	20 hour rate(3.75A)	75Ah
Reserve Capacity	128min	
Cold Cranking Performance Amps@0°F(-18°C)	560A	

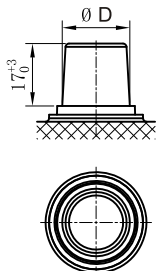
Discharge Characteristics(25°C,70°F)



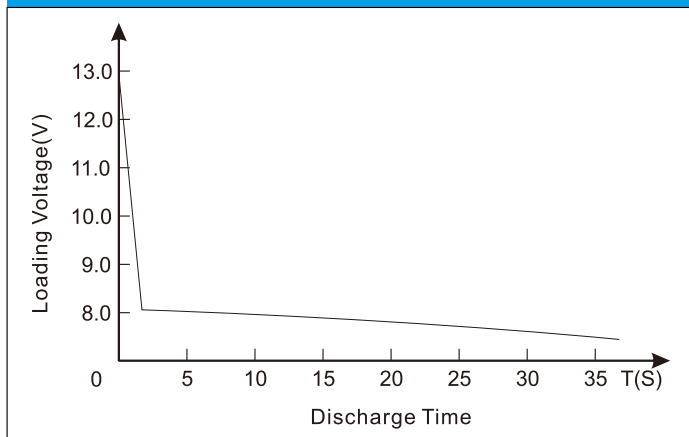
Standard Terminal (mm) Cell Layout

Terminal Type	D		Cell Layout Diagram
	Positive	Negative	
5	19.5 ⁰ _{-0.3}	17.9 ⁰ _{-0.3}	

Figure(1)



Discharge Characteristics(-18°C,0°F)



*Values are subject to variation of +/- 5% in normal manufacturing processes.
*Technical specifications and the product line above could be changed without prior notice.